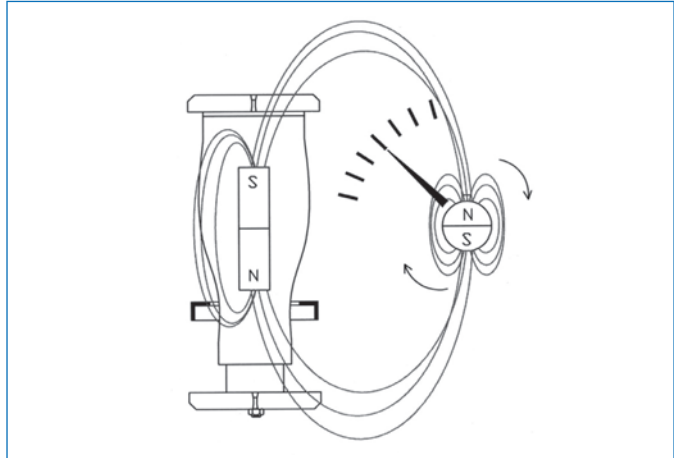


# METAL TUBE FLOW METER BF300E

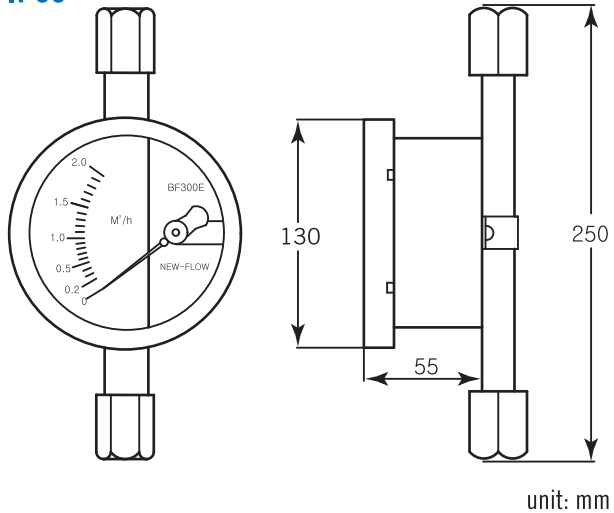


## Principle

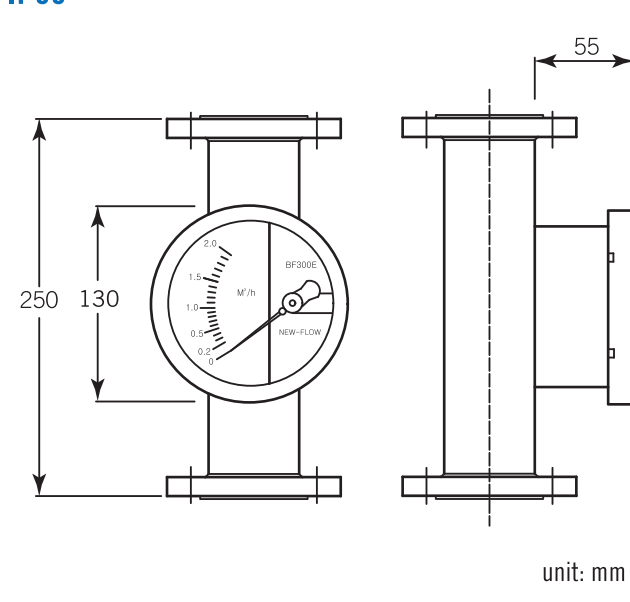


## Dimensions

### IP66



### IP66



## Technical Data

**BF300E for high flows of gas, liquid and steam**

**Case Material:** SS316

**Body wetted parts:** SS316, Others on request.

Indication via magnetic coupling (no sealed)

**Scales calibrated:** in l/h, m<sup>3</sup>/h, kg/h, %, etc.

**Flow rates for:**

– Water: 4 l/h up to 100,000 l/h  
(special ranges on request)

– Air: 0.1 Nm<sup>3</sup>/h up to 1200 Nm<sup>3</sup>/h  
(special ranges on request)

**Connection types:**

– Thread type, Flange type, Trip Clamp & Sanitary  
(other on request)

**Connection size:** 1/2" ~ 5"

**Mounting Length:** 250 mm, standard or others

**Temperature:** -50°C to +200°C (300°C option)

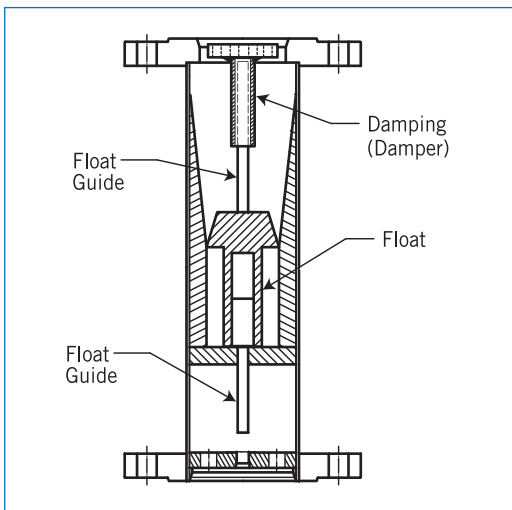
**Protection class:** IP66

**Accuracy:** ±2% F.S (±1.6% F.S Option)

**Max pressure:** 40 kg/cm<sup>2</sup> (standard)

(Option: up to 100 kg/cm<sup>2</sup>)

## Damping Mechanical (Option Function)



## Standard Scales

Tube	L/H 20°C Water	NM <sup>3</sup> /H Air 0°C 1.013bar	PmmWater	Connection	Accuracy (NOTE 1.)
BF3001E	4 ~ 30	0.1 ~ 1	≤750	1/2"	±5% F.S
BF3002E	4 ~ 40	0.13 ~ 1.3	≤750	1/2"	±5% F.S
BF3003E	5.5 ~ 55	0.17 ~ 1.7	≤750	1/2"	±5% F.S
BF3004E	8 ~ 80	0.2 ~ 2	≤750	1/2"	±2% F.S
BF3005E	16 ~ 160	0.5 ~ 5	≤750	1/2"	±2% F.S
BF3006E	18 ~ 180	0.6 ~ 6	≤750	1/2"	±2% F.S
BF3007E	30 ~ 300	1 ~ 10	≤750	1/2"	±2% F.S
BF3008E	50 ~ 500	1.5 ~ 15	≤750	1/2"	±2% F.S
BF3009E	60 ~ 600	1.8 ~ 18	≤750	1/2"	±2% F.S
BF3010E	70 ~ 700	2 ~ 20	≤750	1/2"	±2% F.S
BF3011E	100 ~ 1000	3 ~ 30	≤750	3/4"	±2% F.S
BF3012E	120 ~ 1200	4 ~ 40	≤750	1"	±2% F.S
BF3013E	160 ~ 1600	5 ~ 50	≤700	1"	±2% F.S
BF3014E	200 ~ 2000	6 ~ 60	≤700	1"	±2% F.S
BF3015E	240 ~ 2400	7 ~ 70	≤700	1"	±2% F.S
BF3016E	280 ~ 2800	8.5 ~ 85	≤700	1"	±2% F.S
BF3017E	320 ~ 3200	9 ~ 90	≤700	1"	±2% F.S
BF3018E	350 ~ 3500	10 ~ 100	≤700	1"	±2% F.S
BF3019E	500 ~ 5000	14 ~ 140	≤650	1½"	±2% F.S
BF3020E	600 ~ 6000	15 ~ 150	≤650	1½"	±2% F.S
BF3021E	700 ~ 7000	20 ~ 200	≤650	1½"	±2% F.S
BF3022E	800 ~ 8000	24 ~ 240	≤650	1½"	±2% F.S
BF3023E	1000 ~ 10000	30 ~ 300	≤650	2"	±2% F.S
BF3024E	1200 ~ 12000	35 ~ 350	≤650	2"	±2% F.S
BF3025E	1400 ~ 14000	40 ~ 400	≤650	2"	±2% F.S
BF3026E	1500 ~ 15000	45 ~ 450	≤1000	2"	±2% F.S
BF3027E	1800 ~ 18000	60 ~ 600	≤800	2½"	±2% F.S
BF3028E	2000 ~ 20000	75 ~ 750	≤800	2½"	±2% F.S
BF3029E	2300 ~ 23000	90 ~ 900	≤850	3"	±2% F.S
BF3030E	2500 ~ 25000	120 ~ 1200	≤1000	3"	±2% F.S
BF3031E	2800 ~ 28000	-----	≤1100	3"	±2% F.S
BF3032E	3000 ~ 30000	-----	≤1200	3"	±2% F.S
BF3033E	3500 ~ 35000	-----	≤1000	4"	±2% F.S
BF3034E	4000 ~ 40000	-----	≤1000	4"	±2% F.S
BF3035E	5000 ~ 50000	-----	≤1200	4"	±2% F.S
BF3036E	6000 ~ 60000	-----	≤1500	4"	±2% F.S
BF3037E	10000 ~ 100000	-----	≤2500	5"	±2% F.S

### NOTE.

- The accuracy ±5% F.S for tube BF3001E~BF3003E.  
The accuracy ±2% F.S for tube BF3004E~BF3037E and option ±1.6% F.S on request.
- Performance Technical Data are effective with date of issue and are subject to change without prior notice.

## Ordering Information

BF300E	Code	Type	Code	Connection size
	G	Indicating only	2B	1/2" BSP (Female)
		<b>Code</b>		<b>Body &amp; wetted parts</b>
	A	SS316, standard	2N	1/2" NPT (Female)
	B	SS316L	6B	3/4" BSP (Female)
	C	PTFE lining + stainless steel	6N	3/4" NPT (Female)
	D	option	10B	1" BSP (Female)
		<b>Code</b>		<b>Float material</b>
	A	SS316	10N	1" NPT (Female)
	B	SS316L	4F	½" Flange
	C	PTFE	6F	¾" Flange
	D	option	10F	1" Flange
		<b>Code</b>		<b>Connection rating</b>
	0	Thread connection	12F	1½" Flange
	5	JIS 5K	20F	2" Flange
	10	JIS 10K	22F	2½" Flange
	20	JIS 20K	30F	3" Flange
	15	ANSI 150#	40F	4" Flange
	30	ANSI 300#	50F	5" Flange
	60	ANSI 600#		
	90	ANSI 900#		
	T	Other: _____		
		<b>Code</b>		<b>Protection Class</b>
		IP		IP66
		<b>Code</b>		<b>Fluid</b>
		G		Gas
		O		Oil
		L		Liquid
		S		Steam
		<b>Code</b>		<b>Range</b>
		S		Standard range
		Please directly fill out the flow range in the order code.		
		<b>Code</b>		<b>Damper</b>
		D		With
		N		Without

BF300E				
--------	--	--	--	--

+					
---	--	--	--	--	--

### NOTE:

1. Custom-made flow range and flange size upon request.
2. Please fill in the ordering information and service condition, and fax this sheet along with your inquiry to 886-7-8225588.

**Special instruction, if any:**

\_\_\_\_\_

\_\_\_\_\_

\_\_\_\_\_

**Service Condition:**

Fluid name: \_\_\_\_\_

Sp. Gr. (density): \_\_\_\_\_

Viscosity: \_\_\_\_\_

Press.: \_\_\_\_\_

Temp.: \_\_\_\_\_

Full scale: \_\_\_\_\_