

DISPLACER LEVEL SWITCH 200 Two Stage Series

EDW200 – Weather Proof Type

EDX200 – Explosion Proof Type

The NEW-FLOW Displacer Level Switches are made to fit wide range applications such as pump control, waste water level and deep open tank. They are designed for high corrosive resistance and long service life. 200-Series are one stage control and easy to install.

Technical Data

Easy Installation

Wetted Parts Material: SS316, SS304 available

Housing Material: EDX- Aluminum alloy; EDW- SS316 or C.S with painting

The Suitable S.G.: ≥0.6

Enclosure Housing: EDW–Weather Proof: IP65;

EDX–Explosion Proof: Class I, Groups C & D; Class II, Groups E, F & G; NEMA 4X

Micro Switch Rating (SPDT & 2DPDT Type): 5A/125VAC, 5A/250VAC, 2A/30VDC

Max. Temperature: 250°C

Float Size: ø60mm x 150mm length; other size available upon request



Ex d IIB + H2 T6
工研院字號認證審核中
ITRI/Taiwan certificate examining



EDX200

EDW200



PATENT NO.
M279006



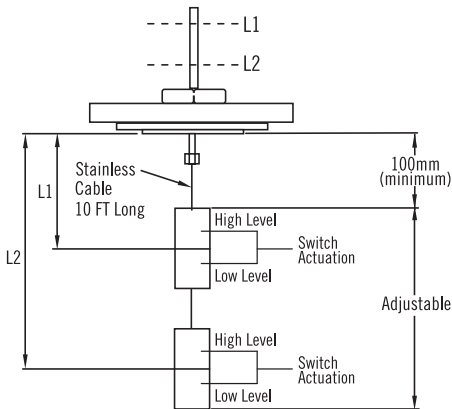
PATENT NO.
M279006



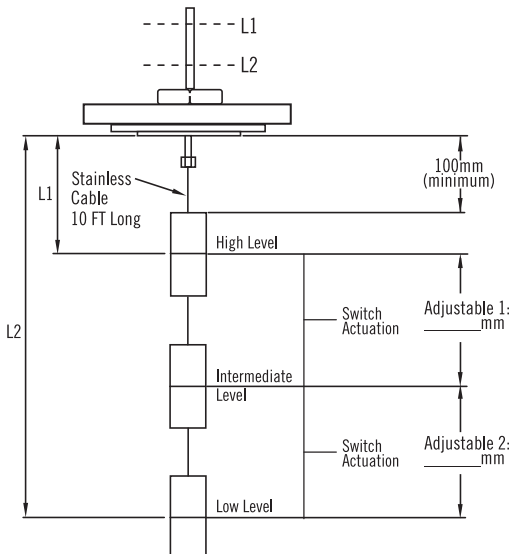
WWW.NEW-FLOW.COM • TEL: 886-7-8135500 • FAX: 886-7-8225588 • Email: info@new-flow.com

Control

Narrow Differential Model: 200



Wide Differential Model: 201

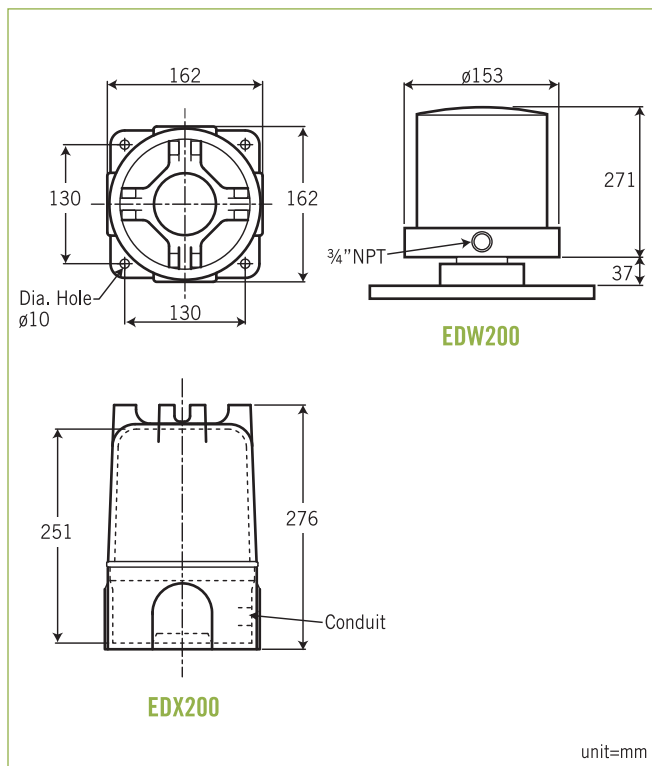


Note. Adjustable 1, 2: Please fill in request length.

Switch Function

Dry Contact Micro-Switch	1SPDT X 2	
Option		
Dry Contact Micro-Switch	(2DPDT) 2SPDT X 2	
Option		

Housing Dimensions



unit=mm

Ordering Information

EDW / EDX	Code	Model							
		200	Narrow differential	201	Wide differential				
		Code Housing Material							
		A	Aluminum alloy (only for EDX)	B	SS316	C	C.S with painting		
		Code Process Connection Size							
			(1) 2½" (2) 3" (3) Option						
		Code Process Connection Rating							
			(A) JIS 10K (B) JIS 20K (C) ANSI 150# (D) ANSI 300# (E) PN16 (F) PN40 (G) Option						
		Code Conduit Size							
		1	¾"NPT(F)	2	Option				
		Code Switch Function							
		A	Dry contact Microswitch	1SPDT x 2					
		B	Option						
		C	Dry contact Microswitch	2SPDT x 2					
		D	Option						
		Code Float Material							
			(1) SS316 (2) SS304						
		Code Wetted Parts Material							
			(A) SS316 (B) SS304						
		Code Sp. Gr.							
			(A) 1 (B) Other Sp. Gr.						
		Code Setting Point							
		Please fill in the requested length L1= L2=							
							L1=	L2=	Complete Ordering Code

WWW.NEW-FLOW.COM • TEL: 866-7-8135500 • FAX: 866-7-8225588 • Email: info@new-flow.com



2015 Rev.0