

# DISPLACER LEVEL SWITCH 300 Three Stage Series

**EDW300** – Weather Proof Type

**EDX300** – Explosion Proof Type

The NEW-FLOW Displacer Level Switches are made to fit wide range applications such as pump control, waste water level and deep open tank. They are designed for high corrosive resistance and long service life. 300-Series are one stage control and easy to install.

## Technical Data

### Easy Installation

**Wetted Parts Material:** SS316, SS304 available

**Housing Material:** EDX- Aluminum alloy; EDW- SS316 or C.S with painting

**The Suitable S.G.:** ≥0.6

**Enclosure Housing:** EDW-Weather Proof: IP65;

EDX-Explosion Proof: Class I, Groups C & D; Class II, Groups E, F & G; NEMA 4X

**Micro Switch Rating (SPDT & 3DPDT Type):** 5A/125VAC, 5A/250VAC, 2A/30VDC

**Max. Temperature:** 250°C

**Float Size:** ø60mm x 150mm length; other size available upon request



PATENT NO.  
M279006



PATENT NO.  
M279006



**EDX300**

**EDW300**

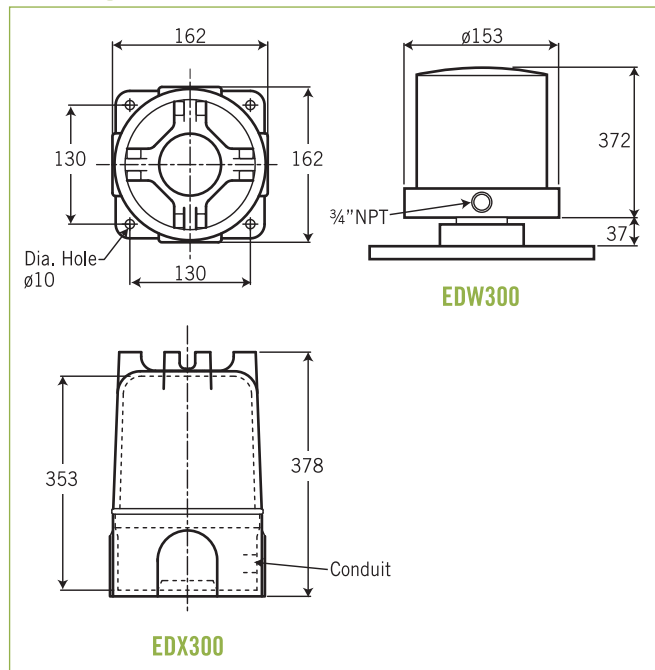


Ex d IIB + H<sub>2</sub> T6  
工研院字號認證審核中  
ITRI/Taiwan certificate examining

## Switch Function

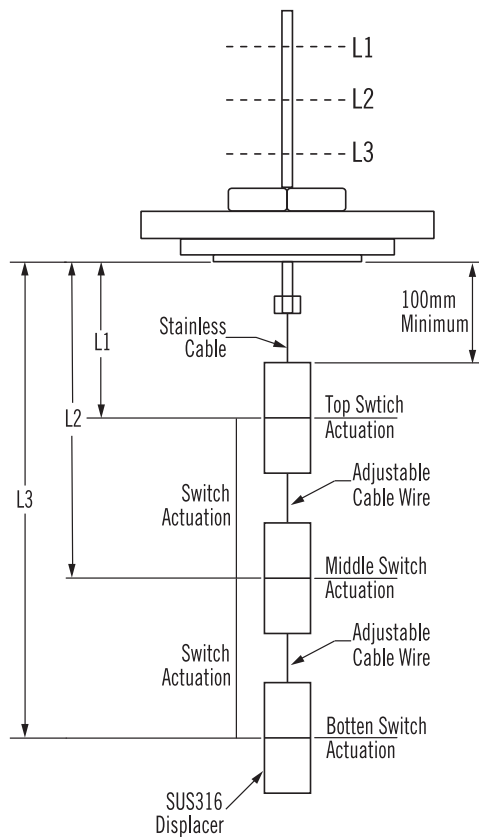
Dry Contact-Micro Switch	1SPDT X 3	
Dry Contact-Micro Switch	(3DPDT) 2SPDT X 3	

## Housing Dimensions



## Control

### Narrow Differential Model: 300



### Ordering Information

<b>EDW / EDX</b>	<b>Code</b>	<b>Model</b>	
		300	Narrow differential
	<b>Code</b>	<b>Housing Material</b>	
	A	Aluminum alloy (only for EDX)	B SS316 C C.S with painting
	<b>Code</b>	<b>Process Connection Size</b>	
		(1) 2½" (2) 3" (3) Option	
	<b>Code</b>	<b>Process Connection Rating</b>	
		(A) JIS 10K (B) JIS 20K (C) ANSI 150# (D) ANSI 300# (E) PN16 (F) PN40 (G) Option	
	<b>Code</b>	<b>Conduit Size</b>	
	1	¾"NPT(F)	2 Option
	<b>Code</b>	<b>Switch Function</b>	
	A	Dry contact Microswitch	1SPDT x 3
	B	Option	
	C	Dry contact Microswitch	2SPDT x 3
	D	Option	
	<b>Code</b>	<b>Float Material</b>	
		(1) SS316 (2) SS304	
	<b>Code</b>	<b>Wetted Parts Material</b>	
		(A) SS316 (B) SS304	
	<b>Code</b>	<b>Sp. Gr.</b>	
		(A) 1 (B) Other Sp. Gr.	
	<b>Code</b>	<b>Setting Point</b>	
		Please fill in the requested length L1= L2= L3=	
		L1=	L2= L3=
		<b>Complete Ordering Code</b>	