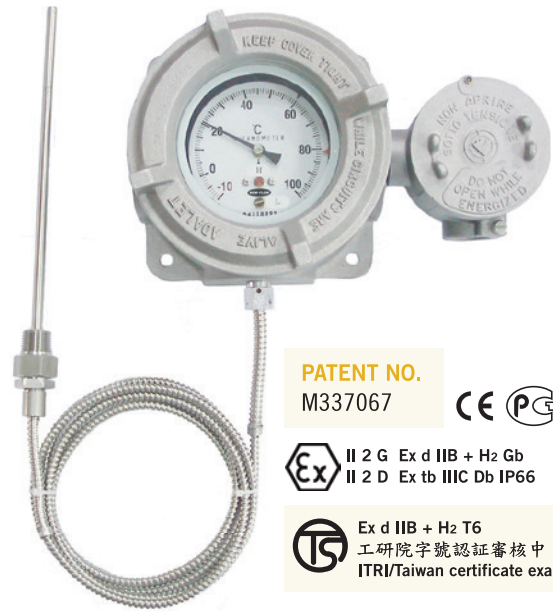


# TEMPERATURE SWITCH EXPLOSION PROOF ETS5000

**CLASS I, GROUPS B, C & D**  
**CLASS II, GROUPS E, F & G; NEMA 4, 7, 9**  
**Temperature: -200 ~ +650°C**  
**Dial Size: 6"**

## Technical Data

Type	Liquid Filled Type	Gas Filled Type
Model	ETS5000-L	ETS5000-G
Temperature Range	-70 ~ +400°C	-200 ~ +650°C
Remote Capillary Length	30M	50M
Electric Contact	1~2 Contacts	
Microswitch Type S.P.D.T	Nominal Operating Voltage: 250 VAC max. Current: 5A max.	
Alternatively Switch Data	Nominal Operating Voltage: 28 VDC max. Current: 5A max. (ohmic load); 3A max. (inductive load) Contact Material: Pure Silver 999.9 Ambient Temperature: -20°C~+70°C	
Explosion Proof Class	Class I, Groups B, C & D; Class II, Groups E, F & G; NEMA 4, 7, 9	
Material of Case & Cover	Aluminum alloy die-casting, Blue color	
Gauge Indication Accuracy	±1% F.S	
Switch Acting Differential	±1.6~3% F.S	
Contact Adjusting Method	Internal Adjusting Method	
Conduit Connection	½" or ¾" NPT(F)	
Process Connection	½" or ¾" NPT Male	
Sensor Material	Wetted Parts are all in SS316	



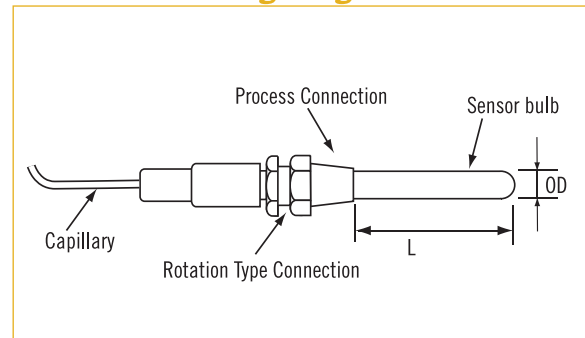
PATENT NO.  
M337067



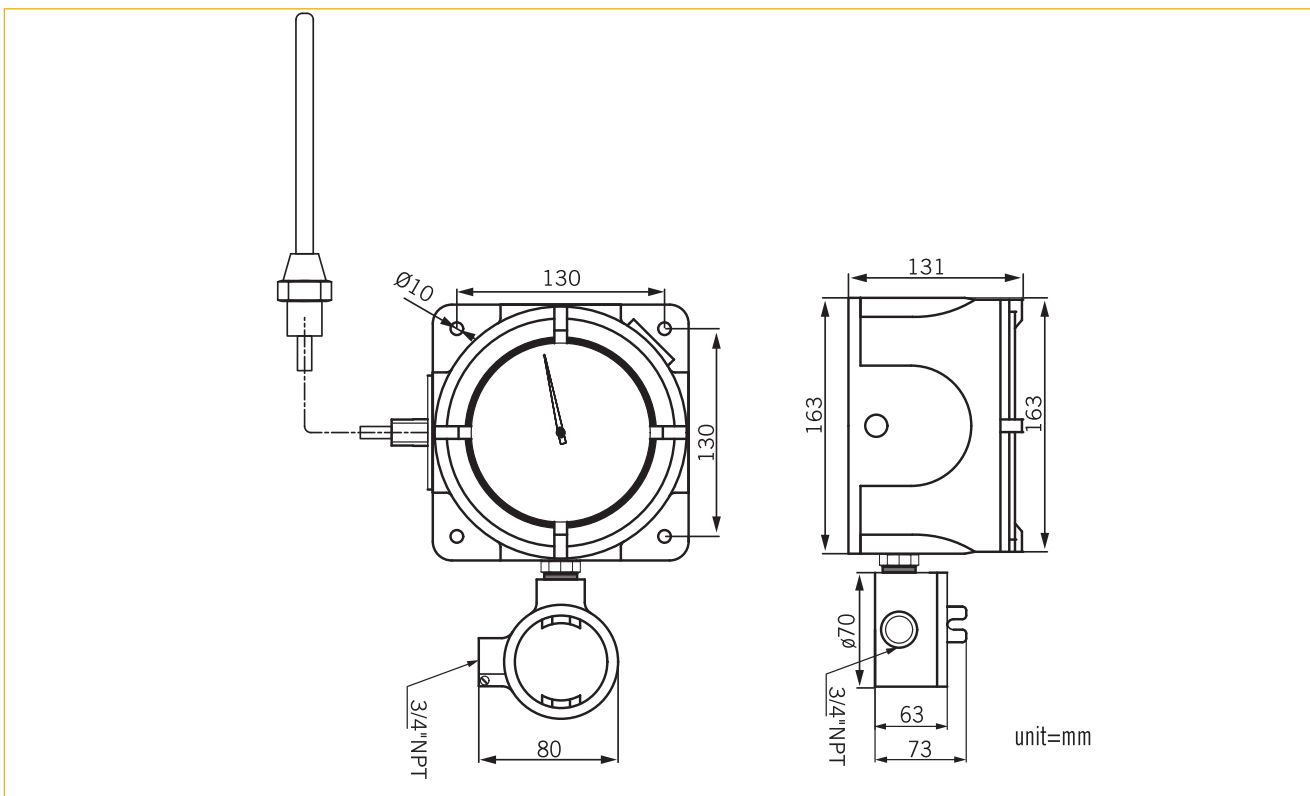
Ex II 2 G Ex d IIB + H2 Gb  
II 2 D Ex tb IIIC Db IP66

Ex d IIB + H2 T6  
工研院字號認證審核中  
ITRI/Taiwan certificate examining

## Minimum Inserting Length of Sensor Bulb



## Dimensions



## Range Selection Table

Liquid Filled Type		
Adjustable Range (°C)	Sub Division	
1	-70~+50	2
2	-50~+50	1
3	-30~+50	1
4	-30~+100	2
5	-10~+50	1
6	-10~+100	1
7	0~50	1
8	0~60	1
9	0~80	1
10	0~100	1
11	0~120	2
12	0~150	2
13	0~200	2
14	0~250	5
15	0~300	5
16	0~400	5

Gas Filled Type		
Adjustable Range (°C)	Sub Division	
1	-200~+50	5
2	-200~+100	5
3	-200~+150	5
4	-200~+200	5
5	-100~+100	2
6	-100~+150	5
7	-100~+200	5
8	-50~+300	5
9	-50~+400	10
10	-50~+500	10
11	-50~+600	10
12	0~100	1
13	0~150	2
14	0~200	2
15	0~250	5
16	0~300	5
17	0~400	5
18	0~500	10
19	0~650	10

### OPTION.

1. Special range available upon request.
2. Special scale available upon request.
3. Special stem diameter and length available upon request.

## Effective Bulb Insertion Length

Liquid Filled Type					
Range °C		Outside Dimension d			
		Ø6	Ø8	Ø10	Ø12
1	-70~+50	130	90	80	80
2	-50~+50	156	100	90	90
3	-30~+50	195	110	90	90
4	-30~+100	120	90	80	80
5	-10~+50	260	120	110	110
6	-10~+100	142	90	80	80
7	0~50	312	140	120	120
8	0~60	312	140	120	120
9	0~80	195	110	90	90
10	0~100	156	100	90	90
11	0~120	130	90	80	80
12	0~150	104	80	70	70
13	0~200	78	80	70	70
14	0~250	63	80	70	70
15	0~300	53	80	70	60
16	0~400	39	70	60	60

Gas Filled Type					
Capillary Length		Outside Dimension d			
		Ø6	Ø8	Ø10	Ø12
1	0~10m	150	100	80	80
2	11~30m	200	150	130	130
3	31~50m	250	200	180	180

## Ordering Information

ETS5000L ETS5000G	Code	Measuring Range								
		Please refer to the range selection table. e.g. 1= Range is -70~+50°C								
		<table border="1"> <thead> <tr> <th>Code</th> <th>Capillary Length (M)</th> </tr> </thead> <tbody> <tr> <td></td> <td>Please fill in the requested length.</td> </tr> </tbody> </table>	Code	Capillary Length (M)		Please fill in the requested length.				
Code	Capillary Length (M)									
	Please fill in the requested length.									
		<table border="1"> <thead> <tr> <th>Code</th> <th>Process Connection</th> </tr> </thead> <tbody> <tr> <td></td> <td>(A) ½" NPT Male (B) ¾" NPT Male (O) option</td> </tr> </tbody> </table>	Code	Process Connection		(A) ½" NPT Male (B) ¾" NPT Male (O) option				
Code	Process Connection									
	(A) ½" NPT Male (B) ¾" NPT Male (O) option									
		<table border="1"> <thead> <tr> <th>Code</th> <th>Stem Outside Dimensions</th> </tr> </thead> <tbody> <tr> <td></td> <td>(1) ø6mm (2) ø8mm (3) ø10mm (4) ø12mm (5) option</td> </tr> </tbody> </table>	Code	Stem Outside Dimensions		(1) ø6mm (2) ø8mm (3) ø10mm (4) ø12mm (5) option				
Code	Stem Outside Dimensions									
	(1) ø6mm (2) ø8mm (3) ø10mm (4) ø12mm (5) option									
		<table border="1"> <thead> <tr> <th>Code</th> <th>Stem Length (mm)</th> </tr> </thead> <tbody> <tr> <td></td> <td>Please refer to bulb length table. Fill in the requested length.</td> </tr> </tbody> </table>	Code	Stem Length (mm)		Please refer to bulb length table. Fill in the requested length.				
Code	Stem Length (mm)									
	Please refer to bulb length table. Fill in the requested length.									
		<table border="1"> <thead> <tr> <th>Code</th> <th>Micro Switch</th> </tr> </thead> <tbody> <tr> <td>1</td> <td>One setting point SPDT x 1</td> </tr> <tr> <td>2</td> <td>Two setting point SPDT x 2</td> </tr> </tbody> </table>	Code	Micro Switch	1	One setting point SPDT x 1	2	Two setting point SPDT x 2		
Code	Micro Switch									
1	One setting point SPDT x 1									
2	Two setting point SPDT x 2									
		<table border="1"> <thead> <tr> <th>Code</th> <th>Conduit Size</th> </tr> </thead> <tbody> <tr> <td>A</td> <td>½"NPT(F)</td> </tr> <tr> <td>B</td> <td>¾"NPT(F)</td> </tr> <tr> <td>C</td> <td>option</td> </tr> </tbody> </table>	Code	Conduit Size	A	½"NPT(F)	B	¾"NPT(F)	C	option
Code	Conduit Size									
A	½"NPT(F)									
B	¾"NPT(F)									
C	option									