

# PADDLE FLOW SWITCH FOR LIQUIDS

## FS25R – WEATHER PROOF FS25X – EXPLOSION PROOF

Easy installation into existing pipe  
 For a wide range of pipe size from diameter 25 to 200  
 Reed switch provide a SPDT contact function  
 Max. pressure rating 1500 psi (st. steel)

### Technical Data

Operation Temperature: -30~+120°C

Reed Switch: 250VAC/DC 60WVA

Carrying Current: 1A

Wire Conduit: ½" NPTF

Protection Class: FS25R: Weather Proof type  
 FS25X: Explosion Proof type

Material: Housing– Aluminum alloy (SS316 available for FS25X);

Body– SS316+Teflon; Plate– Stainless Steel 301

Optional: other materials available upon request

#### CAUTION.

If using the FS25 for the Emergency Shower, Please contact with the manufacturer at the first!



Ex d IIB + H2 T6  
 工研院字號認證審核中  
 ITRI/Taiwan certificate examining



Pipe Size	Flow Rates Required to Actuate, Deactuate (m³/h) Water at 25°C		Process Connection NPT
	Actuate (ON)	Deactuate (OFF)	
1"	1.4	1.05	1"
1¼"	1.45	1.1	1"
1½"	1.5-2	0.9-1.5	1"
2"	3-4	2-4	1"
2½"	4-5	3-4	1"
3"	6-7	5-6	1"
4"	10-14	5-10	1"
6"	20-30	12-17	1"
8"	30-35	25-30	1"

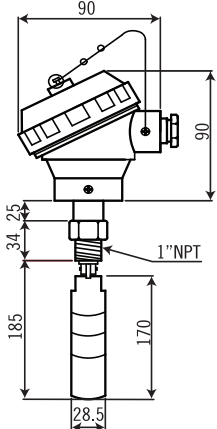
#### NOTE.

The Flow Rate Table is only for reference. Please consult with manufacturer for the accurate flow rate if necessary.

### Dimensions—mm

#### FS25R

Head Type: HN  
 Material: Aluminum alloy  
 Protection: IP68

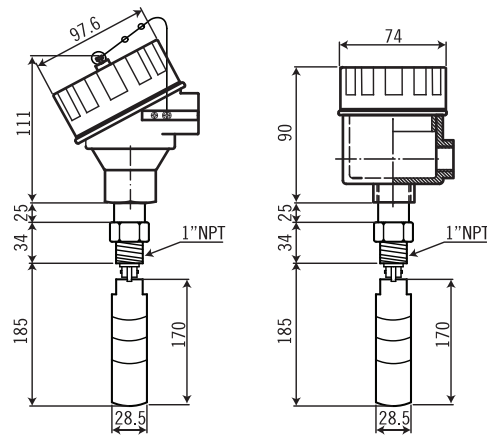


#### FS25X-XDS/XDA

Head Type: XDS: SS316; XDA: Aluminum alloy  
 EC certificate no.: BSI 07 ATEX 1532458U  
 ATEX directive code: II 2 G D  
 Standard code: Ex d IIC T6, Ex td A21 T100°C IP68  
 FM Approvals: XP/II/1/ABCD/T6; DIP/II, III/1/EFG/T6; Type 4X  
 Explosionproof for Class I, Division 1, Groups A,B,C and D; and dust-ignitionproof for Class II, III Division 1, Groups E,F and G, hazardous (classified) locations; indoor/ outdoor (NEMA Type 4X).

#### FS25X-ES/EA

Head Type: ES: SS316; EA: Aluminum alloy  
 Protection: Ex II 2 GD Ex d IIB+H2 Gb T6  
 Ex tb IIIC Db T85°C; IP68



### Ordering Information

FS25	Code	Type		
	R	Weather Proof	X	Explosion Proof
		Code	Head Type	
			(1) HN (only for FS25R) (2) XDS (3) XDA (4) ES (5) EA (6) option	
		Code	Process Connection	
			(A) 1"NPT(M), standard (O) option	
		Code	Conduit Size	
			(1) ½"NPT(F), standard (2) option	
FS25				Complete Ordering Code