

# FLOW SWITCH FS30R

FS30RB—BRASS  
FS30RS—STAINLESS STEEL

Easy Installation  
Wide Range Pipe Size Selections

## Technical Data

**Protection Class:** IP65  
**Process Connection:** 1" NPT male  
**Material: Housing:** Plastic (Other wetted part: brass or stainless steel)  
**Application:** Liquid  
**Installation:** Easily mounted directly in a pipe  
**Pipe Size Range:** 25~200 (1"~8"), large size is available  
**Microswitch:** SPDT, 15A 125, 250V 480 VAC, ½A 125 VDC, ¼A 250 VDC  
**Conduit Connection:** PG11, other thread available with adaptor  
**Temperature Limit:** -30~+120°C  
**Pressure Limit:** 15 kg/cm<sup>2</sup>— stainless steel ; 10 kg/cm<sup>2</sup>— brass

### Option Function (Extra Cost):

**LED Alarm Light:** Red color (Bilateral side conduit connection available)  
**Power Supply for LED Alarm Light:** AC 110V, AC 220V; option available



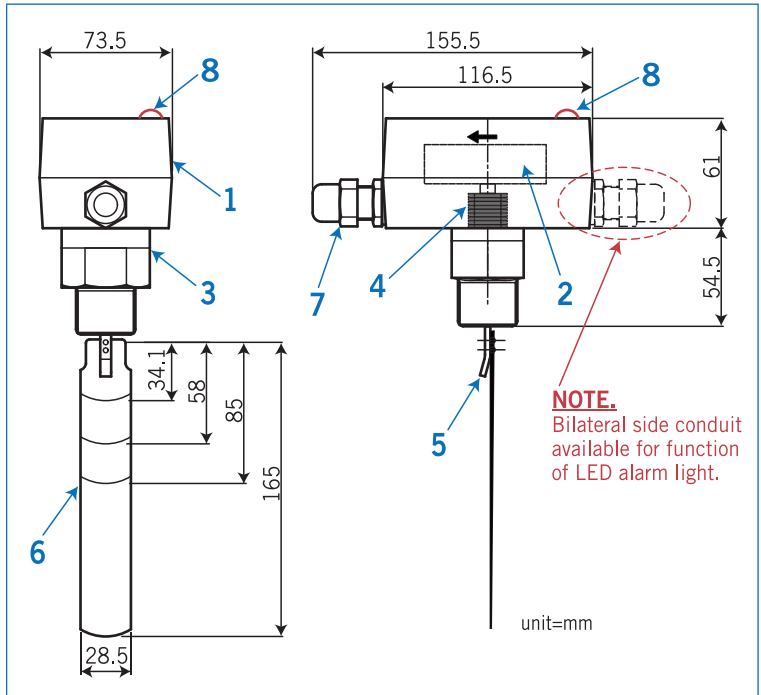
PATENT NO.  
M290239



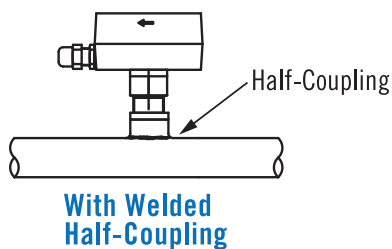
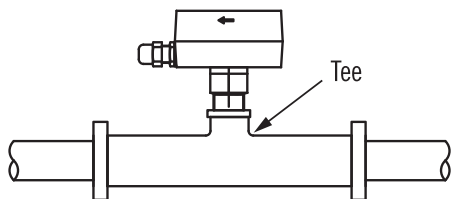
## Flow Rate Table (For Acuate & Deactuate)

Pipe Size	Flow Rates Required to Actuate, Deactuate Litter per Minute (L/M) Water at 25°C			
	Actuate (on)		Deactuate (OFF)	
	FS-30RB	FS-30RS	FS-30RB	FS-30RS
1"	23~40	26~45	14~35	16~39
1¼"	38~64	42~70	22~64	24~71
1½"	49~88	54~97	27~74	30~82
2"	72~125	80~137	36~91	40~100
2½"	92~160	100~176	44~140	48~154
3"	114~198	125~218	46~173	51~190
4"	151~279	166~307	75~243	82~267
5"	223~436	245~480	111~349	122~384
6"	300~629	330~690	150~466	165~512
8"	770~1560	847~1715	643~1480	707~1620

## Dimensions



## Installation Instruction



## Material List

Item		FS-30RB	FS-30RS
1	Housing	Plastic	Plastic
2	Switch Mechanism	Microswitch Unit	Microswitch Unit
3	Connection	Brass	SS316
4	Bellows	Brass	SS316
5	Paddle Guide	Brass	SS316
6	Paddle	SS301	SS301
7	Conduit	Plastic	Plastic
8	LED Alarm Light (option function)	Plastic	Plastic