

# FLOW SWITCH FS40R

FS40RB—BRASS  
FS40RS—STAINLESS STEEL

Easy Installation  
For Small Pipe Application

## Technical Data

**Protection Class:** IP65  
**Process Connection:** 1/2", 3/4" Female (Tee), NPT and PT available  
**Material: Housing:** Plastic (Other wetted part: brass or stainless steel)  
**Application:** Liquid  
**Installation:** Easily mounted directly on a pipe  
**Microswitch:** SPDT, 15A 125, 250V 480 VAC, 1/2A 125 VDC, 1/4A 250 VDC  
**Conduit Connection:** PG11, other thread available with adaptor  
**Temperature Limit:** -30~+120°C  
**Pressure Limit:** 15 kg/cm<sup>2</sup>— stainless steel ; 10 kg/cm<sup>2</sup>— brass

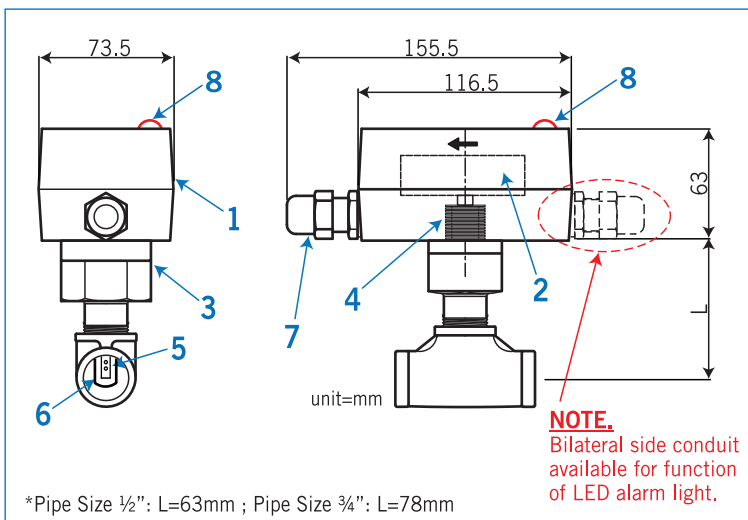
### Option Function (Extra Cost):

**LED Alarm Light:** Red color (Bilateral side conduit connection available)  
**Power Supply for LED Alarm Light:** AC 110V, AC 220V; option available

## Flow Rate Table (For Actuate & Deactuate)

Flow Rates Required to Actuate, Deactuate Litter per Hour (L/H) Water at 25°C				
Pipe Size	Actuate (on)		Deactuate (OFF)	
	FS-40RB	FS-40RS	FS-40RB	FS-40RS
1/2"	590~600	610~630	370~390	390~410
3/4"	760~780	790~810	465~480	490~520

## Dimensions

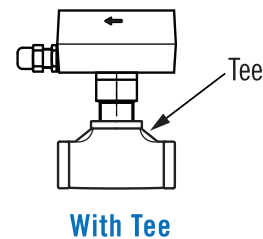


## Material List

Item		FS-40RB	FS-40RS
1	Housing	Plastic	Plastic
2	Switch Mechanism	Microswitch Unit	Microswitch Unit
3	Connection	Brass	SS316
4	Bellows	Brass	SS316
5	Paddle Guide	Brass	SS316
6	Paddle	SS301	SS301
7	Conduit	Plastic	Plastic
8	LED Alarm Light (option function)	Plastic	Plastic



## Installation Instruction



## Ordering Information

FS40R	Code	Connection Material
	B	Brass
	S	SS316
		<b>Code</b> <b>Process Connection</b>
	1	1/2" NPT female
	2	1/2" PT female
	3	3/4" NPT female
	4	3/4" PT female
	0	option
		<b>Code</b> <b>Option Function (Extra Cost)</b>
	1	LED Alarm Light only
	2	LED Alarm Light + Bilateral Side Conduit Conn.
	N	Without
FS40R		Complete Ordering Code