

PADDLE WHEEL LIQUID FLOW METER

HF200 

Technical Data

Connecting size: 1½” NPT female standard

Power supply: 3.8V to 30VDC

Output: Sink(NPN)

Material: Body– Polypropylene, PVDF available
 Cover– PP, PVDF available
 Rotor– PVDF
 Shaft– HC276
 Bearings– PVDF

O-ring: Viton

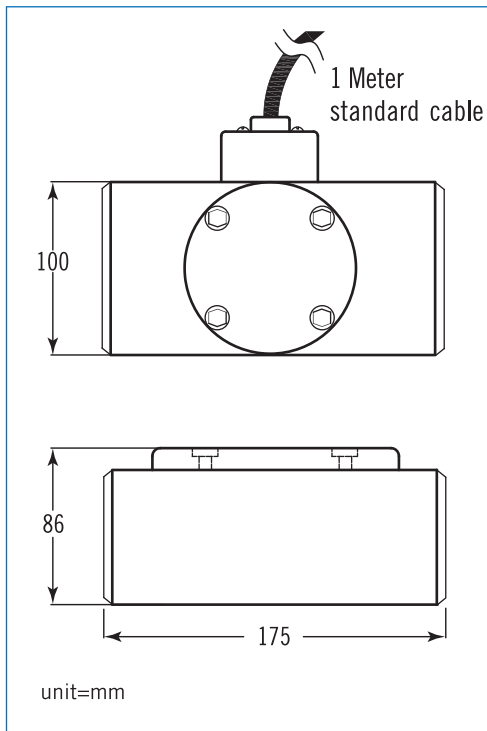
Max.temperature: 70°C

Max.pressure: Polypropylene-10kg/cm²
 PVDF-15kg/cm²

Accuracy: ±2%F.S



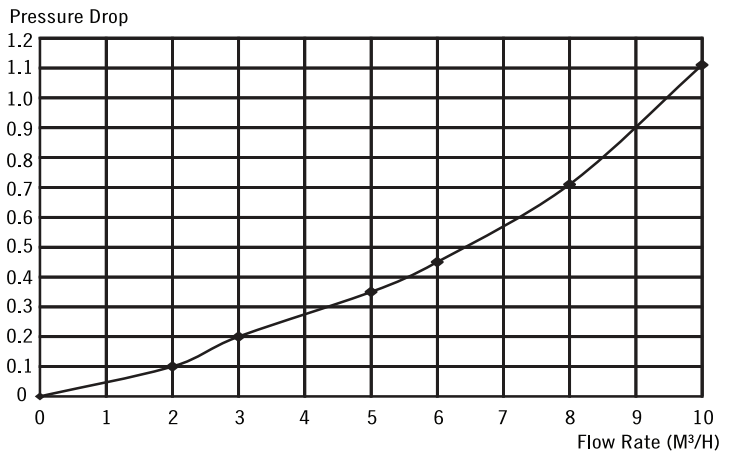
Dimensions



Range Table

| Size | Flow Rates /M ³ H | Nominal Factors Per Liter |
|------|------------------------------|---------------------------|
| 1½” | 1~10 | 7.1 |

Pressure Drop: 1½”



Ordering Information

| HF200 | Code | Process connection size |
|--------------|------------------|-------------------------------|
| | | (1) 1½” |
| | Code | Body material |
| | A | Polypropylene |
| | B | PVDF |
| | Code | Cover Material |
| | (1) P.P (2) PVDF | |
| HF200 | | Complete ordering code |