

HORIZONTAL MAGNETIC LEVEL SWITCH

LR SERIES

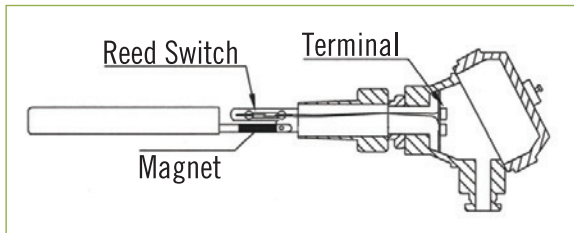


Ex d IIB + H2 T6
工研院字號認證審核中
ITRI/Taiwan certificate examining

The LR Series of float-operated level switch. Suitable for control the liquid level with horizontal mounting. The float extension arm moves a magnet which actuated reed switch offer an open or closed contact upon request by user.

Technical Data

- General Purpose
- Weather Proof- IP68
- Explosion Proof- ATEX & ITRI/Taiwan approvals
- Chemical Duty
- Sp. Gr.: Minimum 0.6
- Screwed Mounting
- Connection: 1/2", 3/4" or 1" NPT male available
- Max. Pressure: 10 kg/cm²
- Max. Temperature: -10~120°C
- Float Material: SS316
- Wetted Parts Material: SS316
- Reed Switch: One switch and Two switch available (Two switch is only for the size of 3/4" and 1")



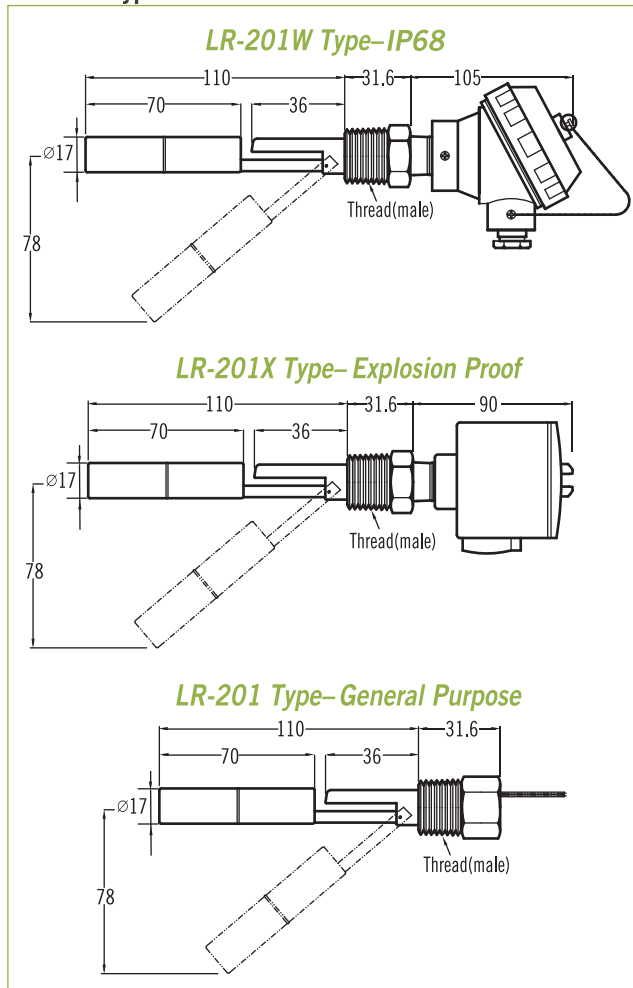
Reed Switch Type

Contact Form	A1 (SPST)	A2 (SPST)	C (SPDT)
Switching Capacity Max.	40 WVA	10 WVA	20 WVA
Switching Voltage Max.	230V AC/DC	100VDC, 250VAC	150V AC/DC
Switching Current Max.	2A	1A	1A
Carrying Current Max.	3A	1.5A	2A

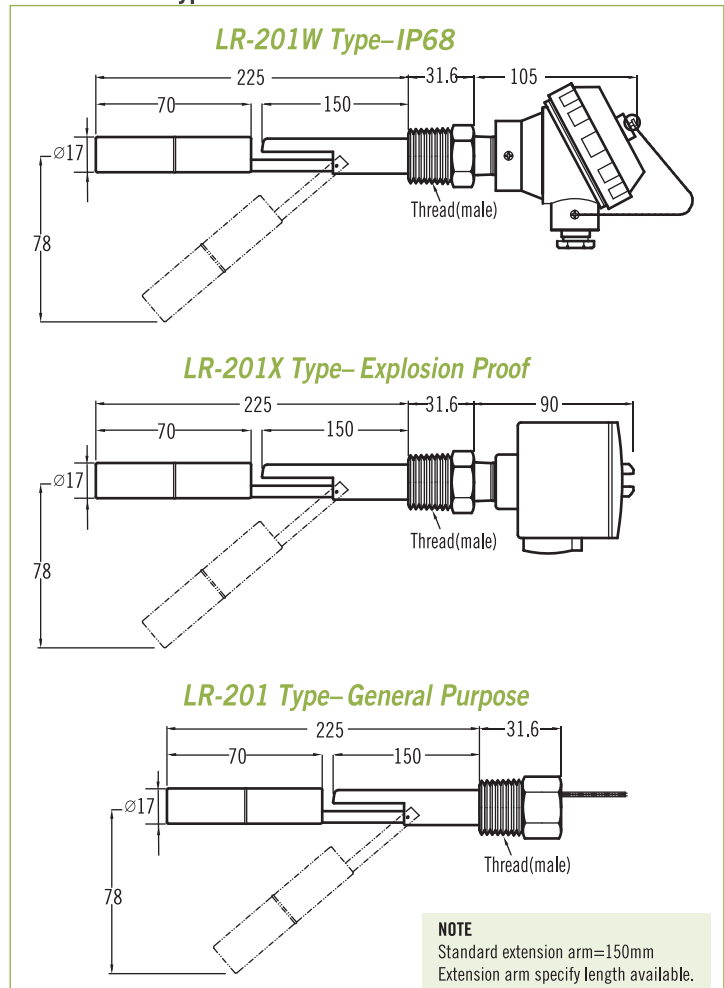
*Special rate available on request.

Dimension-mm

Standard Type



Extension Arm Type



NOTE
Standard extension arm=150mm
Extension arm specify length available.

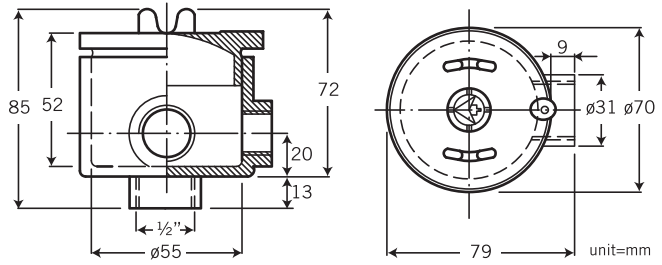
Head Type Technical Data for LR-201X



S1 Type

S1 Type

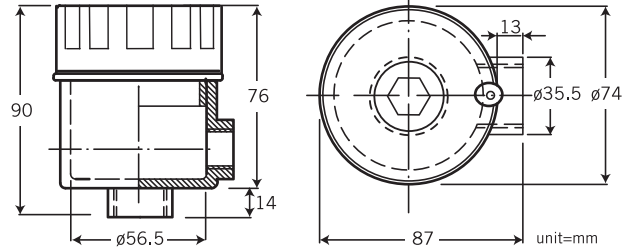
Protection: Explosion proof, EEx d IIC-T6, II 2 GD; IP66
Material: Aluminum alloy
Terminal Block: 4 x 4 mm² (on request)
Weight Gr.: 350g



ES & EA Type

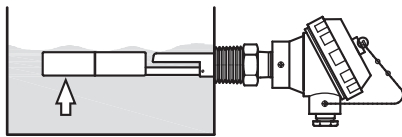
ES & EA Type

Protection: Ex II 2 GD Ex d IIB+H₂ Gb T₆, Ex tb IIIC Db T85°C; IP68
Material: ES type: SS316 / EA type: Aluminum alloy
Extension Wire Connection: Female 1/2", 3/4" (PF, NPT, BSP)
Weight Gr.: 1054g

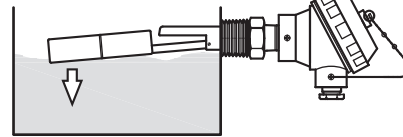


Float Level Switch Action Mode

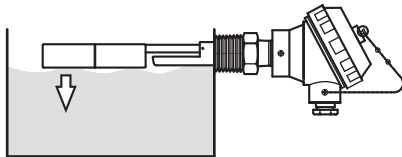
(A) Switch Action: Close (ON)



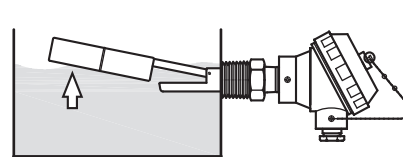
(B) Switch Action: Open (OFF)



(C) Switch Action: Close (ON)
Particle or Garbage mixed liquid no recommend



(D) Switch Action: Open (OFF)
Particle or Garbage mixed liquid no recommend



Ordering Information

LR	Code	Type				
	S	Standard Type	E	Extension Arm Type		
	Code	Model				
	201W	Weather Proof, IP68	201X	Explosion Proof	201	General Purpose
	Code	Head Housing Type (Case Material / Protection Class) *only for 201X selection*				
	S1	Aluminum Alloy / EEx d IIC-T6, II 2 GD; IP66				
	ES	SS316 / (ATEX) II 2 GD Ex d IIB + H ₂ Gb T ₆ , Ex tb IIIC Db T85°C; IP68 / (ITRI/Taiwan) Ex d IIB + H ₂ T6				
	EA	Aluminum Alloy / (ATEX) II 2 GD Ex d IIB + H ₂ Gb T ₆ , Ex tb IIIC Db T85°C; IP68 / (ITRI/Taiwan) Ex d IIB + H ₂ T6				
	O	For Weather proof type & General purpose type				
	Code	Contact Form				
		(1) A1 type (SPST, 230VAC/DC) (2) A2 type (SPST, 100VDC, 250VAC) (3) C type (SPDT, 150VAC/DC)				
	Code	Float Material				
	S	SS316				
	Code	Connection Size				
		(1) 1/2"NPT(M) (2) 3/4"NPT(M) (3) 1"NPT(M)				
		(4) 1/2"BSP(M) (5) 3/4"BSP(M) (6) 1"BSP(M) (7) option				
	Code	Conduit Size				
		(1) 1/2"NPT(F) (2) 3/4"NPT(F) (3) 1/2"BSP(F) (4) 3/4"BSP(F) (5) option				
	Code	Reed Switch				
	1	One Switch	2	Two Switches (for size 3/4" or 1" only)		
<div style="display: flex; justify-content: space-around; border: 1px solid black; padding: 5px;"> </div>						
Complete Ordering Code						