

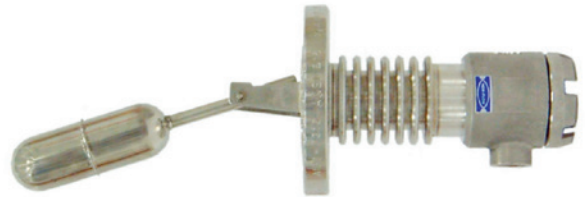
HORIZONTAL MAGNETIC LEVEL SWITCH

LT203 Flange Type For High Temperature

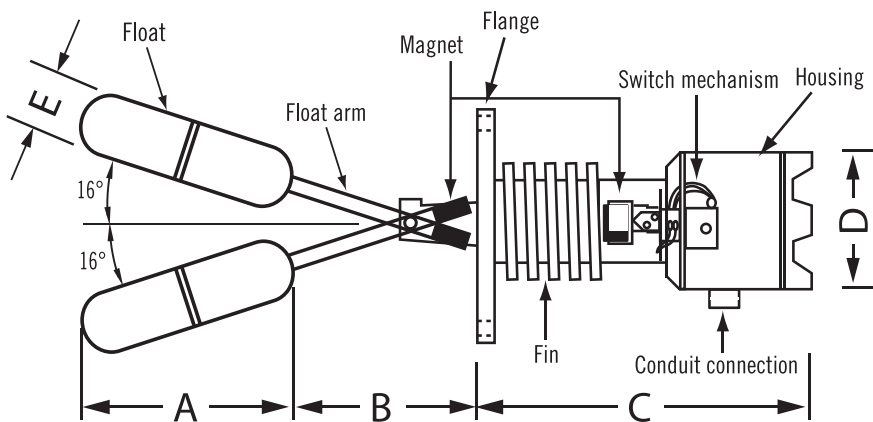
LT203 float-operated level switches are suitable for controlling liquid level at horizontal mounting. The float equipped with an extended arm moves a couple magnetic mechanism to actuate a microswitch to offer an ON-OFF contact for application. LT203 is equipped with an extra fin to be able to work under high temperature environment.

Technical Data

- Enclosure housing:** Weather proof IP65
- Process connection:** 1½"~4" Flange type
- Flange rating:** JIS, ANSI, DIN available
- Material:** Wetted parts 316 stainless steel
- Temperature limits:** -20°C to +200°C or -20°C to +350°C
- Pressure limits:** 3.0 MPa (30 kg/cm²), option: up to 4.5 MPa
- Switch function:** 1 x SPDT; 2 x SPDT Micro switch available
- Switch rating:** 3A/250VAC, 5A/125VAC, 4A/30VDC
- Conduit connection:** ½"NPT female, option
- Float working specific gravity:** ≥0.7 (option: less than 0.7 available on request)



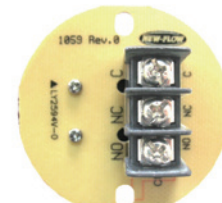
Dimensions



	A	B	C	D	E
mm	150	92	170 Approx.	64	40

NOTE.
 1. Special dimensions on request.
 2. Extension length for B is available.

Wire Drawing



1 SPDT



2 SPDT

Ordering Information

LT203	Code	Process Connection Size
		(1) 1½" (2) 2" (3) 3" (4) 4"
		Code Process Connection Rating
		(A) JIS 10K (B) JIS 20K (C) ANSI 150# (D) ANSI 300# (E) PN10 (F) PN25 (G) option
		Code Flange Material
		(1) SS316 (2) SS304 (3) Option
		Code Max. Temperature Limit
		(A) -20°C to +200°C (B) -20°C to +350°C
		Code Switch Function-Micro Switch
	1	One switch, SPDT x 1
	2	Two switch, SPDT x 2
LT203		

Complete Ordering Code