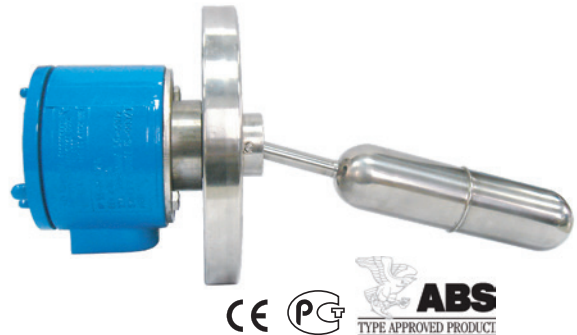


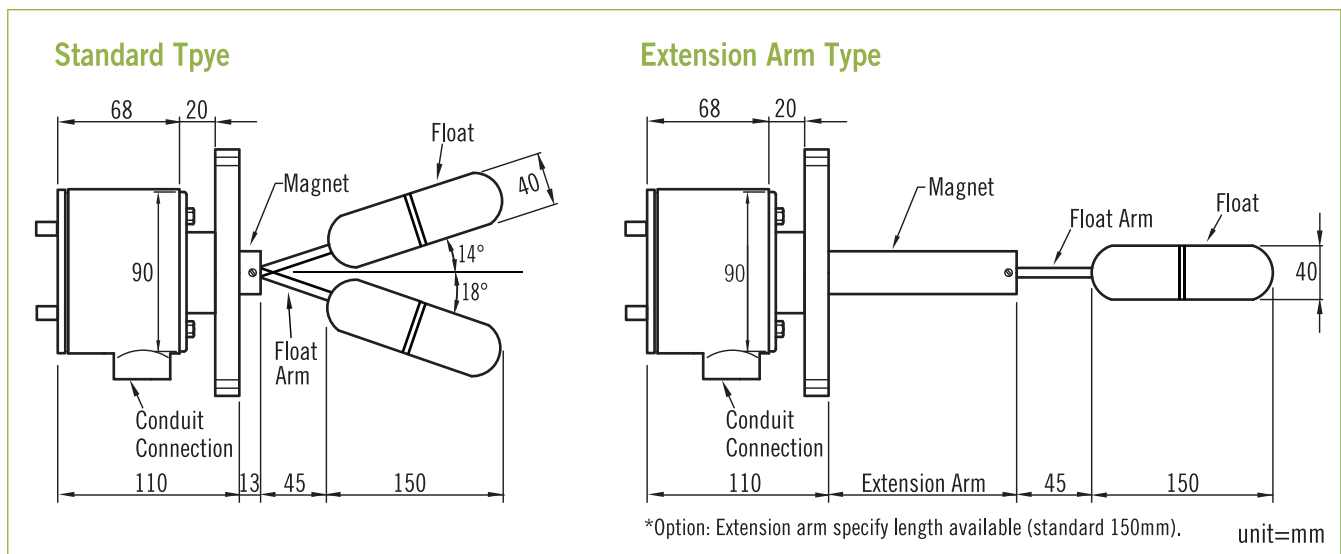
HORIZONTAL MAGNETIC LEVEL SWITCH EXPLOSION PROOF LXT204 Flange Type

Technical Data

Enclosure housing: Explosion proof— EEx d IIC-T6, II 2 GD; IP66
Process connection: 1½"~4" Flange type
Flange rating: JIS, ANSI, DIN available
Material: Wetted parts 316 stainless steel
Pressure limits: 3.0 MPa (30 kg/cm²), option: up to 4.5 MPa
Float working specific gravity: ≥0.7
 (option: less than 0.7 available on request)
Temperature limits: -20°C to +150°C
Switch function: Micro switch 1 x SPDT; 2 x SPDT option
Switch rating: 3A/250VAC, 5A/125VAC, 4A/30VDC
Conduit connection: ½"NPT, ¾"NPT female, option available



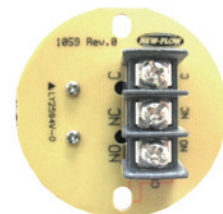
Dimensions



Ordering Information

LXT204	Code	Type			
	S	Standard type	E	Extension Arm Type	
		Code	Process Connection Size		
			(1) 1½" (2) 2" (3) 3" (4) 4" (5) option (please specify size)		
		Code	Process Connection Rating		
			(A) JIS 10K (B) JIS 20K (C) ANSI 150# (D) ANSI 300# (E) PN16 (F) PN25 (G) option		
		Code	Conduit Connection Size		
			(1) ½"NPT (2) ¾"NPT (3) Option		
		Code	Flange Material		
			(1) SS316 (2) SS304 (3) Option		
		Code	Switch Function- Micro Switch		
		1	One Switch, SPDT x 1		
		2	Two Switch, SPDT x 2		
LXT204					Complete Ordering Code

Wire Drawing



1 SPDT



2 SPDT