

# MINI SIZE LEVEL GAUGE

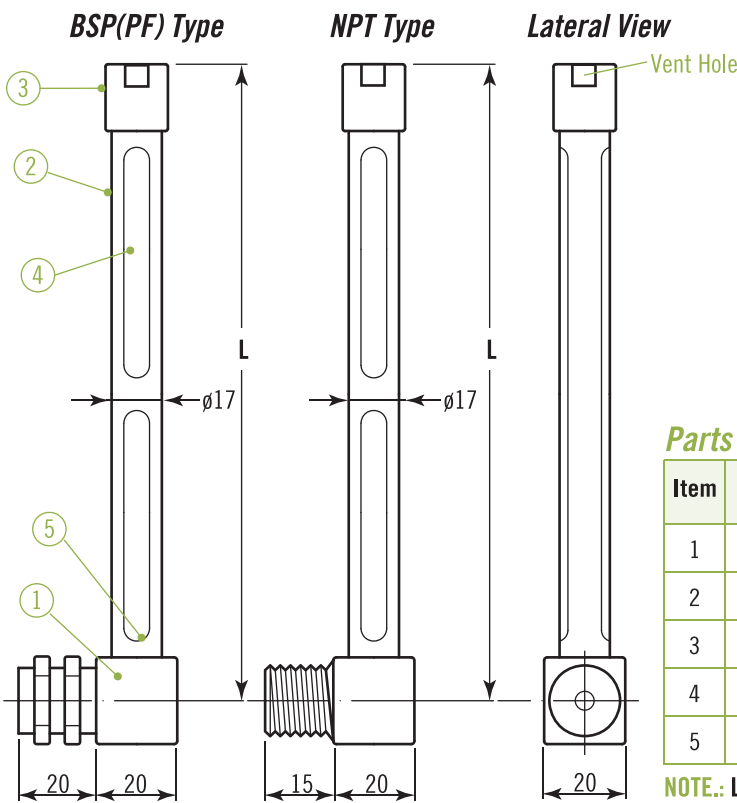
## MLG SERIES

### Technical Data

**Application:** for Oil tank, mini size tank  
**Material:** Copper, stainless steel 304, stainless steel 316 available  
**Connection type:** NPT, BSP (PF) available  
**Connection size:** 1/4", 3/8", 1/2" available  
**Gauge length:** standard 150mm or 250mm, option available



### Dimensions



### Parts List

Item	Description of Parts	Material	Remark
1	Body	Copper; SS304; SS316; option	
2	Protect Tube	Copper; SS304; SS316; option	
3	Nut	Copper; SS304; SS316; option	
4	Indicating Tube	Glass	
5	Seal	Viton	

**NOTE.:** L= standard 150mm or 250mm, option available

### Ordering Information

MLG	Code	Process Connection Size
		(A) 1/4" BSP (B) 1/4" NPT (C) 3/8" BSP (D) 3/8" NPT (E) 1/2" BSP (F) 1/2" NPT (G) option
		<b>Code</b> <b>Material</b>
		(1) Copper (2) SS304 (3) SS316 (4) option
		<b>Code</b> <b>Gauge Length (L)</b>
		(A) 150mm (B) 250mm (C) option
MLG		Complete ordering code