

FLOW SIGHT GLASS GAUGE

NAW-1 – WITH TEFLON BALL NAW-2 – WITH ROTOR

Technical Data

Service: for Gases and Liquid

Wetted Parts Material: Window– Tempered glass; Body– SS316; Gasket– Viton;
Ball– Teflon; Rotor– PP+10% glass fiber; Rotor Guide– SS316

Temperature Limit: NAW-1: 200°C; NAW-2: -5°C~+120°C

Pressure Limit: 16 bar

Connection: Threaded type

Size: ¼", ⅜", ½", ¾", 1", 1¼", 1½" NPT or BSP female available

Mounting: Horizontal installation

Flow Direction: Left to Right or Right to Left available



NAW-1



NAW-2

Flow Range Table

NAW-1 : With Teflon Ball

Size	¼"	⅜"	½"	¾"	1"	1¼"	1½"
Min. Flow (L/Min)	0.12	0.12	0.15	2.5	2.9	11.5	16.5
Max. Flow (L/Min)	1.12	1.12	1.15	5.5	6.0	17.0	22.0
ΔP (2m/sec) BAR	0.15	0.15	0.19	0.18	0.45	0.20	0.25

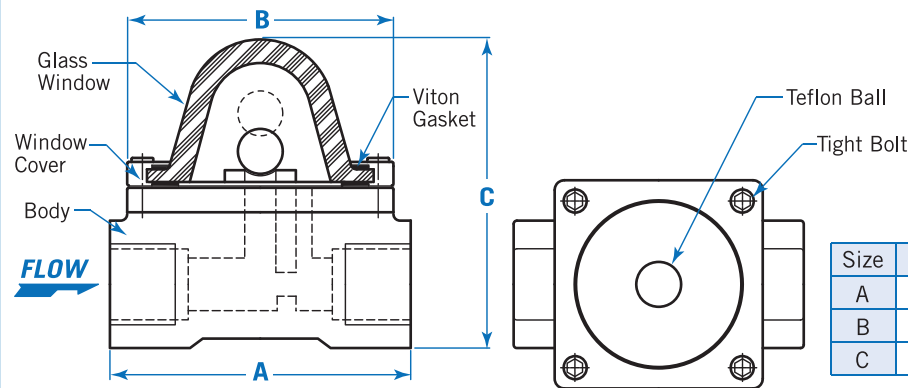
NAW-2 : With Rotor

Size	¼"	⅜"	½"	¾"	1"
Min. Flow (L/Min)	0.8	0.9	1.1	1.4	2.0
Max. Flow (L/Min)	31	41	56	95	145
ΔP (2m/sec) BAR	0.15	0.18	0.21	0.20	0.50

NOTE.
The Flow Range Table is based on Water.

Dimensions

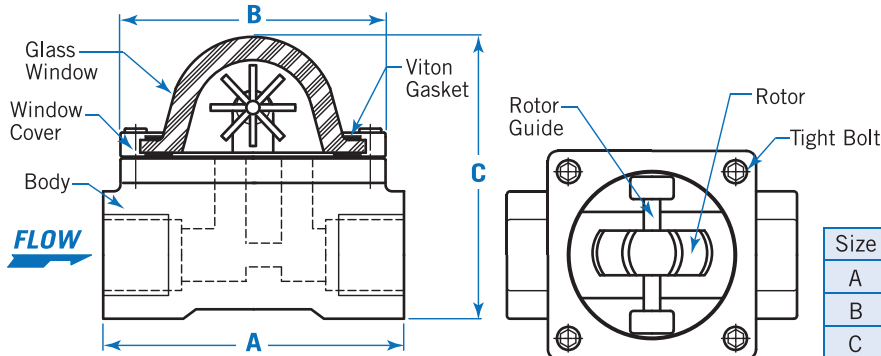
(A) NAW-1, With Teflon Ball



unit=mm

Size	¼"	⅜"	½"	¾"	1"	1¼"	1½"
A	76	76	76	89	89	117	117
B	63	63	63	63	63	75	75
C	79	79	79	95	95	125	125

(B) NAW-2, With Rotor



unit=mm

Size	¼"	⅜"	½"	¾"	1"
A	76	76	76	89	89
B	63	63	63	63	63
C	65	65	65	83	83

Ordering Information

NAW	Code	Model
	1	Teflon ball type
	2	Rotor type
	Code	Body Material
	S	SS316
	Code	Gasket Material
	V	Viton
	Code	Connection Size (Female)
		(1) 1/4" (2) 3/8" (3) 1/2" (4) 3/4" (5) 1"
		(6) 1 1/4" (unavailable for NAW-2) (7) 1 1/2" (unavailable for NAW-2)
	Code	Thread Type
		(1) NPT (2) BSP (3) option

NAW						Complete ordering code
-----	--	--	--	--	--	------------------------