

PRESSURE SWITCH NEMA 4, 4X, IP66

PS2100W

Proof Pressure to 1000psi
Adjustable Ranges: 2~100psi
Temperature: -30 to 205°C

The New-Flow PS2100W, a water proof pressure switch, is designed to be used in control systems. PS2100W has high set point repeatability and narrow dead band features. A variety of range selections are available upon request. Easily adjusted to the set point, and no special tools needed!

Technical Data

Switch Data: one SPDT & two SPDT Microswitch, 15amps 125/250VAC, Gold Contact Microswitch 1A 125/250 VAC

Housing: die cast aluminum alloy with paint

Conduit Connection: 3/4" or 1/2" NPT Female

Pressure Element: welded type diaphragm

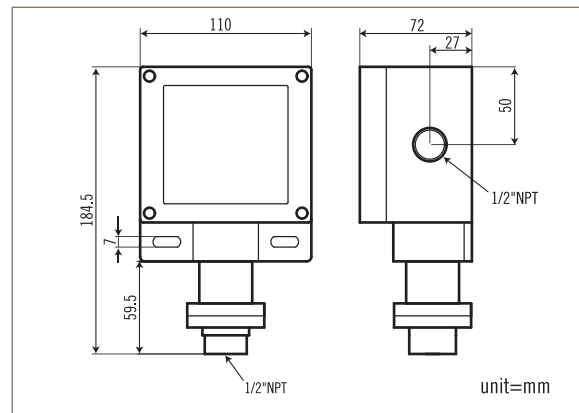
Process Materials: wetted parts are all in SS316

Process Connection: 1/2" or 1/4" NPT Female



PATENT NO.
 M295332
 M334932
 China: 920135

Dimensions



Range Selection Table

Code	Adjustable Range	Dead Band	Maximum Pressure Proof
04R	2~12psi	0.2~0.4	1000psi
10R	2~16psi	0.2~0.5	1000psi
20R	2~20psi	0.3~0.6	1000psi
30R	3~28psi	0.3~0.8	1000psi
40R	7~100psi	0.7~2.0	1000psi

Ordering Information

PS2100W	Code	Range									
		04R 2~12psi	10R 2~16psi	20R 2~20psi	30R 3~28psi	40R 7~100psi					
	Code	Wetted Material									
	A	SS316									
	Code	Process Connection									
		(1) 1/2" NPT Female (2) 1/4" NPT Female									
	Code	Conduit Connection									
		(E) 3/4" NPT Female (F) 1/2" NPT Female, standard									
	Code	Switch Form									
	1	One SPDT									
	2	Two SPDT (one setting point)									
	3	Gold Contact (SPDT)									
PS2100W										Complete Ordering Code	