

PRESSURE SWITCH NEMA 4, 4X, IP66 PSA2000W

Proof Pressure to 3000psi
Adjustable Ranges: 10~1300psi
Temperature: -30 to 205°C
Dead Band: Adjustable

The New-Flow PSA2000W, a water proof pressure switch, is designed to be used in control systems. PSA2000W has high set point repeatability and adjustable dead band features. There are a variety of range selections available upon request. Easily adjusted to the set point, no special tools needed!

Technical Data

Switch Data: 20Amp @ 125, 250 or 480 VAC
Housing: die cast aluminum alloy with paint
Conduit Connection: 3/4" or 1/2" NPT Female
Pressure Element: welded type diaphragm
Process Materials: wetted parts are all in SS316
Process Connection: 1/2" or 1/4" NPT Female

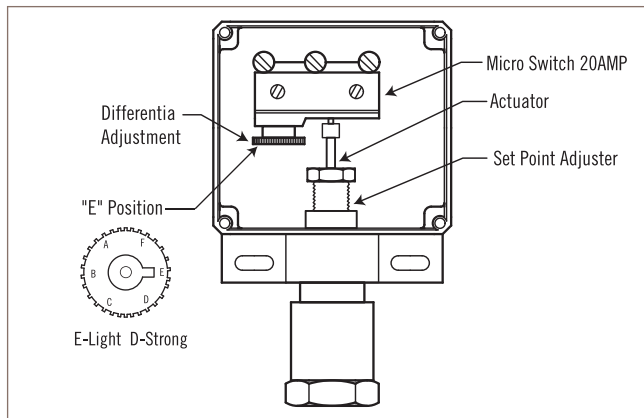
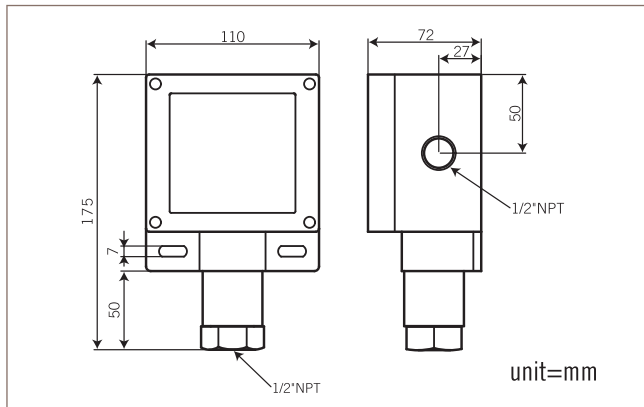
Range Selection Table

Code	Pressure Range	Adjustable Dead Band at "E" Position	Maximum Pressure Proof
10R	10~100psi	10~25	3000psi
20R	35~200psi	12~30	3000psi
30R	50~300psi	28~50	3000psi
60R	100~600psi	28~60	3000psi
130R	200~1300psi	42~100	3000psi



PATENT NO.
 M295332
 M334932
 China: 920135

Dimensions



Ordering Information

PSA2000W	Code	Range							
		10R	10~100psi	20R	35~200psi	30R	50~300psi	60R	100~600psi
		130R	200~1300psi						
	Code	Wetted Material							
	A	SS316							
	Code	Process Connection							
		(1) 1/2" NPT Female (2) 1/4" NPT Female							
	Code	Conduit Connection							
		(E) 3/4" NPT Female (F) 1/2" NPT Female, standard							
	Code	Switch Form							
	1	One SPDT							
PSA2000W									Complete Ordering Code