

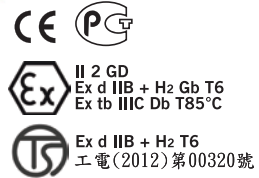
PRESSURE SWITCH EXPLOSION PROOF TYPE

PSA2000X

**CLASS I, GROUPS A, B, C, D;
CLASS II, GROUPS E, F, G; NEMA 4X**
Protection: IP68
Proof Pressure to 3000psi
Adjustable Ranges: 10~1300psi
Temperature: -30 to 205°C
Dead Band: Adjustable



PATENT NO.
M295332
M334932
China: 920135



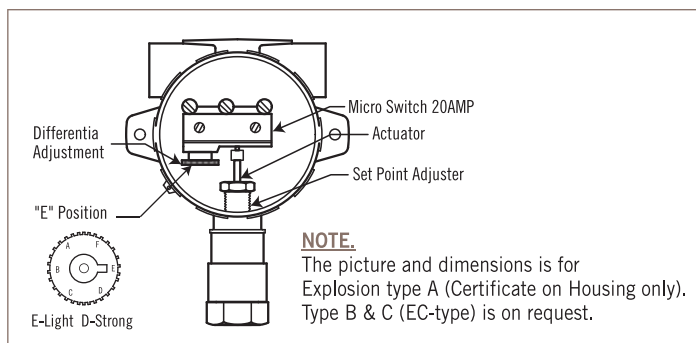
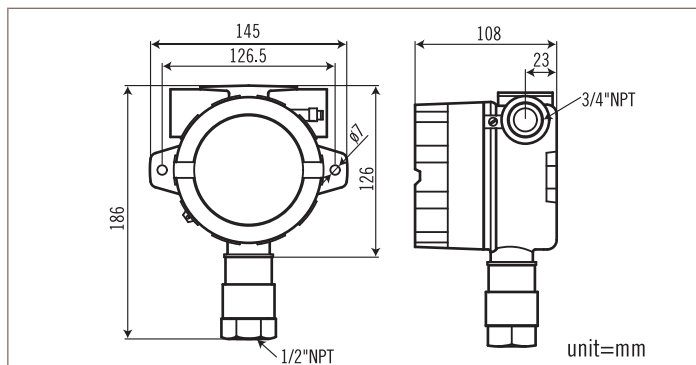
WWW.NEW-FLOW.COM • TEL: 886-7-8135500 • FAX: 886-7-8225588 • Email: info@new-flow.com

The New-Flow PSA2000X, an explosion proof pressure switch, is designed to be used in control systems. PSA2000X has high set point repeatability and adjustable dead band features. There are a variety of range selections available upon request. Easily adjusted to the set point, no special tools needed!

Technical Data

Switch Data: 20Amp @ 125, 250 or 480 VAC
Housing: die cast aluminum alloy with paint
Conduit Connection: 3/4" or 1/2" NPT Female
Pressure Element: welded type diaphragm
Process Materials: wetted parts are all in SS316
Process Connection: 1/2" or 1/4" NPT Female

Dimensions



Range Selection Table

Code	Pressure Range	Adjustable Dead Band at "E" Position	Maximum Pressure Proof
10R	10~100psi	10~25	3000psi
20R	35~200psi	20~50	3000psi
30R	50~300psi	30~75	3000psi
60R	100~600psi	60~150	3000psi
130R	200~1300psi	130~325	3000psi

Ordering Information

PSA2000X	Code	Range							
		10R	10~100psi	20R	35~200psi	30R	50~300psi	60R	100~600psi
		130R	200~1300psi						
	Code	Wetted Material							
	A	SS316							
	Code	Process Connection							
		(1) 1/2" NPT Female (2) 1/4" NPT Female							
	Code	Conduit Connection							
		(E) 3/4" NPT Female, standard (F) 1/2" NPT Female							
	Code	Switch Form							
	1	One SPDT							
	Code	Explosion Type							
	A	Certificate on Housing Only—Class I, Groups A, B, C, D; Class II, Groups E, F, G; NEMA 4X							
	B	EC-Type Examination: ITRI/TAIWAN—Exd IIB + H ₂ T ₆							
	C	EC-Type Examination: ATEX—II 2 GD Ex d IIB + H ₂ Gb T ₆ Ex tb IIIC Db T ₈₅ °C							
PSA2000X									Complete Ordering Code