

PRESSURE SWITCH FOR LIQUID LEVEL CONTROLLER NEMA 4, 4X, IP66 PSA2200W

The New-Flow PSA2200W, a water proof pressure switch for liquid level controller, is designed to be used in level systems. PSA2200W has high set point repeatability and adjustable dead band features. Easily adjusted to the set point, no special tools needed!



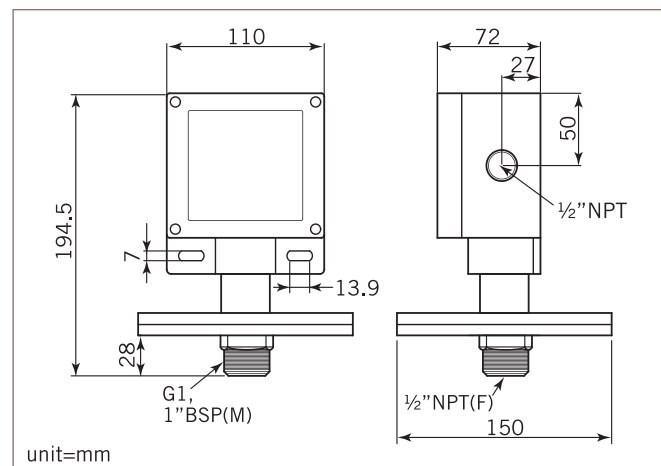
PATENT NO.
M295332
M334932
China: 920135



Technical Data

- Switch Data:** one SPDT microswitch, 20amps 125/250V
- Housing:** die cast aluminum alloy with paint
- Housing Enclosure:** NEMA 4, 4X, IP66
- Conduit Connection:** 3/4", 1/2" NPT female
- Pressure Element:** Diaphragm type
- Proof Pressure:** 1000 psi
- Temperature:** -30 to 205°C
- Process Materials:** wetted parts are all in SS316
- Process Connection:** Male G1 (1" BSP), Female 1/2" NPT, Detected pipe size 1/2", Length 0.2~5 meters
- Control Functions:** Please refer to the "Level Length Table". Select type: Nob A, B, C, E, F are available for setting level length. Fix type: Section G, H, I are available for setting level length

Dimensions



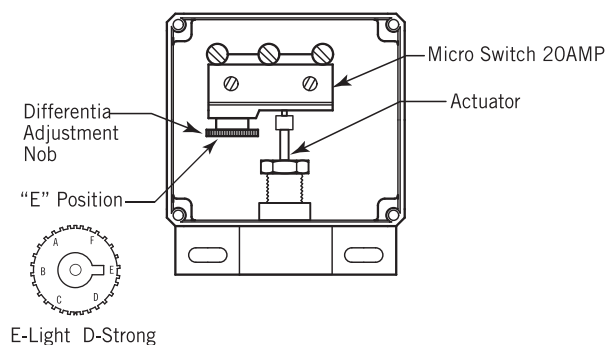
Control Functions

Level Length Table For Actuate & Deactuate

(A). Select Type

Set On Micro Switch Nob	The Length of Set Point to Actuate, Deactuate (mm)		
	Code	Actuate (ON)	
E	150	50	±5
F	200	50	±5
A	380	50	±5
B	550	50	±5
C	760	60	±5

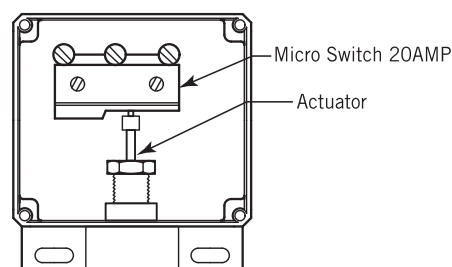
NOTE.: Nob "D" is unavailable for using.



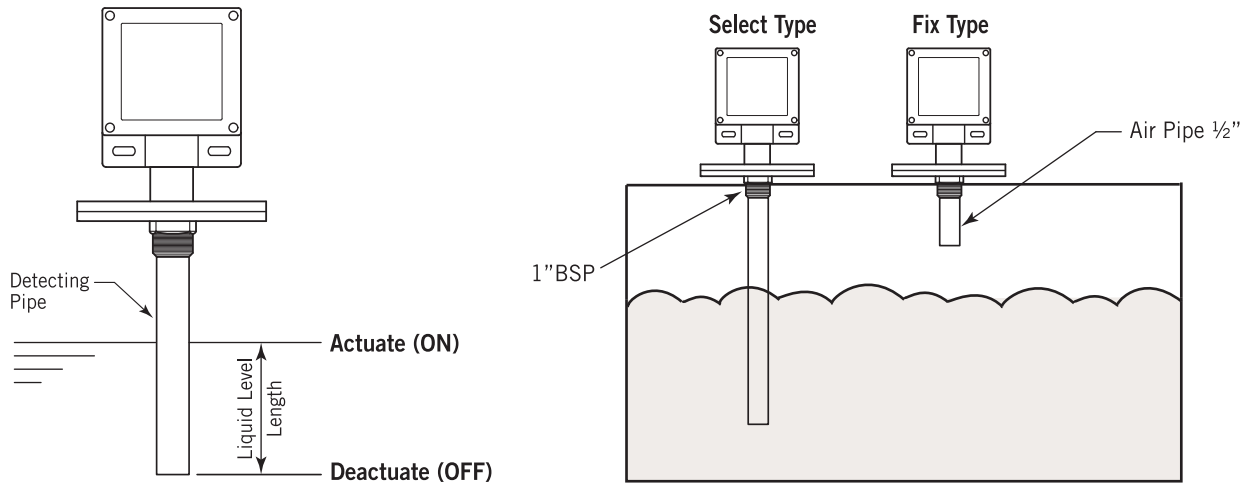
E-Light D-Strong

(B). Fix Type

Set Section	The Length of Set Point to Actuate, Deactuate (mm)		
	Code	Actuate (ON)	
G	60	40	±5
H	80	50	±5
I	130	80	±5

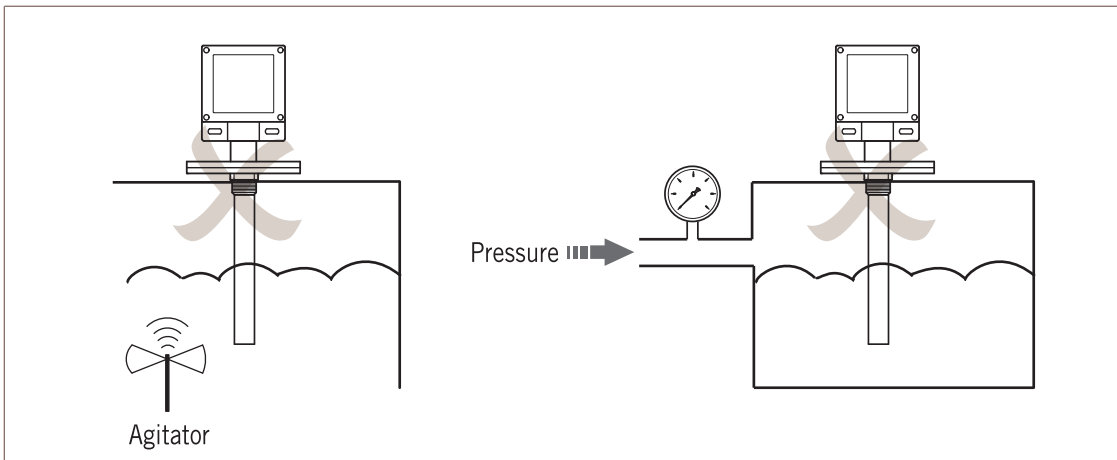


Mounting Method



Notice

1. Do Not locate closed by agitator or liquid inlet/outlet. The operation will be unstable.
2. Do Not install this switch on the pressurized tank.



Ordering Information

PSA2200W	Code	Control Function					
	A	Select Type	B Fix Type				
		Code	Level Length				
		Please refer to the Level Length Table, and directly fill in request range code. (e.g. H)					
		Code	Wetted Part Material				
		A	SS316				
		Code	Process Connection				
		1	male G1 (1" BSP)				
		Code	Conduit Connection				
			(E) 3/4" NPT Female (F) 1/2" NPT Female, standard				
	Code	Switch Form					
	1	one SPDT					
PSA2200W							Complete ordering code

Ordering Information Sample:

Model	Control Function	Level Length	Wetted Parts Material	Process Connection	Conduit Connection	Switch Form
PSA2200W	A	H	A	1	F	1