

# PRESSURE TRANSMITTER

## PT5000

Accuracy:  $\pm 0.2\%FS$

Protection Class: IP65

Measuring SPAN Range: 0/1000 bar available

To shift the zero position and adjustable Max. Range:  $\pm 10\%$  available

### Technical Data

Hysteresis Repeatability:  $\pm 0.05\%$  of full scale

Range: refer to the Measure Range Table

Overpressure Limit: 4 x range

Power Supply: 10.5 to 36 volts DC

Output Signal: 4-20 mA, 2 wires

Thermal Compensation Range:  $-10\sim+80^{\circ}C$

Thermal Error: 0.2% /  $10^{\circ}C$

Long-Term Stability: 0.1% / year

Ambient Temperature:  $-40^{\circ}C$  to  $+80^{\circ}C$

Medium Limited Temperature:  $-40^{\circ}C\sim+120^{\circ}C$

Conduit Connection: DIN43650, PG11 packing gland

Wetted Parts Material: SS316L

Housing Material: SS304

Process Connection:  $\frac{1}{2}$ "NPT, PF male available

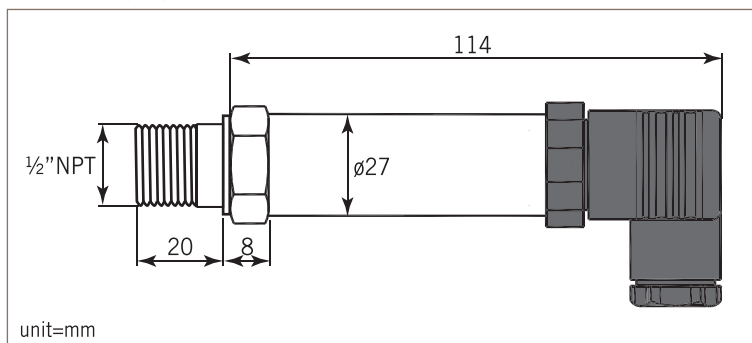
### Range Table

Code	Range	Code	Range	Code	Range	Code	Range	Code	Range
0.25	0/0.25 bar	1.6	0/1.6 bar	10	0/10 bar	60	0/60 bar	400	0/400 bar
0.40	0/0.40 bar	2.5	0/2.5 bar	16	0/16 bar	100	0/100 bar	600	0/600 bar
0.60	0/0.60 bar	4	0/4 bar	25	0/25 bar	160	0/160 bar	1000	0/1000 bar
1	0/1 bar	6	0/6 bar	40	0/40 bar	250	0/250 bar	-1	0/-1 bar

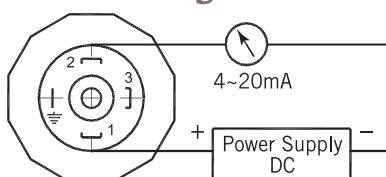
  

Code	Range	Code	Range	Code	Range	Code	Range
1a	0/1 bar abs	6a	0/6 bar abs	40a	0/40 bar abs	250a	0/250 bar abs
1.6a	0/1.6 bar abs	10a	0/10 bar abs	60a	0/60 bar abs	400a	0/400 bar abs
2.5a	0/2.5 bar abs	16a	0/16 bar abs	100a	0/100 bar abs	600a	0/600 bar abs
4a	0/4 bar abs	25a	0/25 bar abs	160a	0/160 bar abs	1000a	0/1000 bar abs

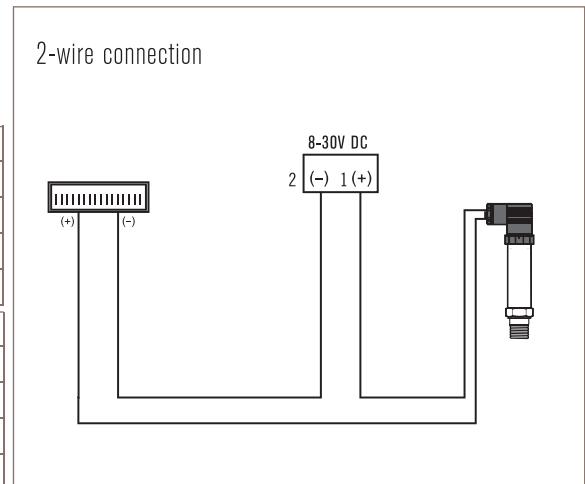
### Dimensions



### Connection Diagram



### Connection



### Ordering Information

PT5000	Code	Pressure Range
		Please refer to the Measure Range Table
		<b>Code</b> <b>Wetted Parts Material</b>
	1	SS316L (standard)
		<b>Code</b> <b>Connection Port</b>
	U	$\frac{1}{2}$ "NPT male (standard)
	B	$\frac{1}{2}$ "PF male
	S	Customized

PT5000				Complete Ordering Code
--------	--	--	--	------------------------

**NOTE**  
Performance Technical Data are effective with date of issue and are subject to change without prior notice.