

# VARIABLE AREA TYPE FLOW METER (ROTAMETER)

## P-TYPE

### Applications

**A. Measuring the flow rate for**

- Chemical process system
- Water treatment system
- Industrial flow system

**B. Service Condition**

- Viscosity ≤ 3 cP
- Max. working temperature: Metal: 100°C; Plastic: 60°C
- Max. working pressure:
  - (1) Body material: PS, PI: 15 kg/cm<sup>2</sup>, Plastic: 6 kg/cm<sup>2</sup>,
  - (2) Glass tube: Borosilicate glass 6 kg/cm<sup>2</sup>,
  - (3) P.C tube: 10 kg/cm<sup>2</sup>, Instant pressure: 15 kg/cm<sup>2</sup>

**C. Alarm switch available (N.O)**

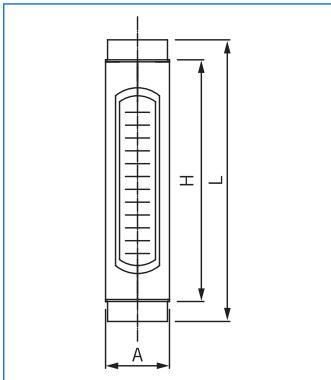
- **Switch rating:** AC 125V 0.5A / DC 100V 10W / Max. DC 250V<1mA

**D. Accuracy: ±2.5%F.S**

### Operation Principle

The variable area Flow meter contains a float & taper tube. The fluid flows through the taper tube and forces up to the float. The flow rate is measured as a function of the area of the opening. The flow rate increases as the float becomes free to move to produce the varying area.

### Dimensions



Range Size	H <sub>2</sub> O (MAX) L/min	AIR (MAX) NL/min	DIMENSION			
			L	H	A	PT/NPT
6A	0.03 – 0.3	0.5 – 5.0	200	165	—	1/4"
10A	0.1 – 1.0	2 – 20	200	165	—	3/8"
15A	1 – 10	20 – 200	240	200	—	1/2"
20A	2 – 20	30 – 300	280	240	—	3/4"
25A	5 – 50	100 – 1000	280	240	—	1"
32A	10 – 100	200 – 2000	280	240	—	1 1/4"
40A	20 – 200	300 – 3000	305	240	—	1 1/2"
50A	40 – 400	500 – 5000	315	240	—	2"



Plastic



Metal



### Ordering Information

P-TYPE	Code	Model	Code	Seal material			
↓	PS	stainless steel wetted parts	↓	(1) NBR (2) Viton			
	PI	steel wetted parts		<b>Code</b>	<b>Protection Supporter material</b>		
	PV	plastic wetted parts			(1) SS304		
		<b>Code</b>		<b>Size</b>		(2) SS316	
				(1) 6A (2) 10A (3) 15A (4) 20A		(3) Acrylic plastic	
				(5) 25A (6) 32A (7) 40A (8) 50A	<b>Code</b>	<b>Flow range</b>	
					L	0.03 ~ 400 L/min for liquid	
					G	0.5 ~ 5000 NL/min for gas	
				<b>Code</b>	<b>Connection thread (M—Male, F—Female)</b>	<b>Code</b>	<b>Alarm Switch</b>
					(1) PTM (2) PTF (3) NPTM (4) NPTF	1R	One setting point
						2R	Two setting points
						0	Without alarm
		<b>Code</b>	<b>Body (wetted parts) material</b>				
			(1) CS (2) SS304 (3) SS316				
			(4) SS316L (5) P.V.C. (6) P.P.				
			(7) PVDF (8) Teflon				
		<b>Code</b>	<b>Indicating Tube material</b>				
			(1) Borosilicate glass				
			(2) PC (plastic)				
		<b>Code</b>	<b>Float material</b>				
			(1) SS304				
			(2) SS316				
			(3) P.V.C				
			(4) P.P.				
			(5) Nylon				
			(6) PVDF				
			(7) Teflon				
P-TYPE			+				

**NOTE**  
Special requests on materials are available.