

PLASTIC FLOW METER – Spring Type

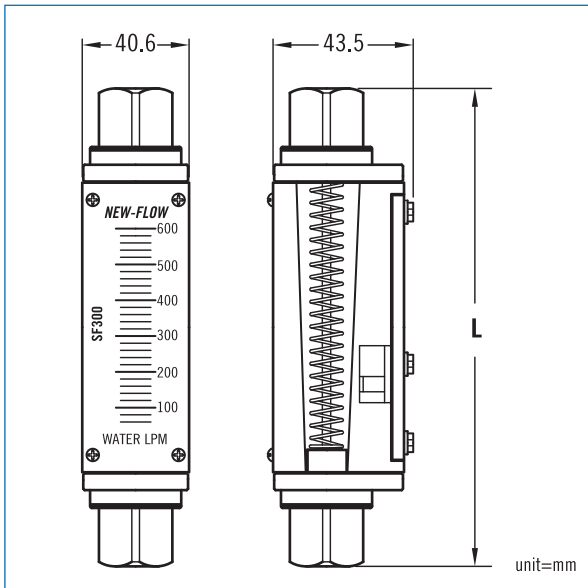
SF300 with alarm switch type
without alarm switch type

Technical Data

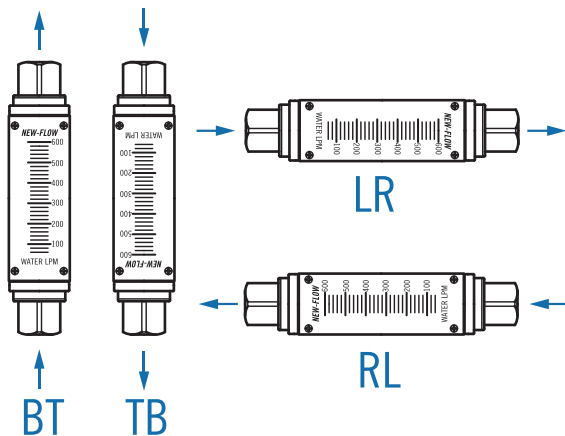
Service: Liquid, Oil
Wetted parts material:
 Body: Polycarbonate (P.C); Polysulfone (PSU) available
 O-ring: Viton
 Float: magnet cover with PPS plastic
 Connection: SS316
 Spring: SS316
Connection size: 3/8", 1/2", 3/4" NPT female available
Mounting: Vertical and Horizontal available, various flow directions
Max. working pressure limit: 1.2 MPa (12 kg/cm²)
Max. test pressure: 2.0 MPa (20 kg/cm²) (water 25°C)
Max. working temperature limit: -10°C to 60°C (for PC body)
 -10°C to 110°C (for PSU body)

Accuracy: ±5% full scale
Alarm switch: One or Two setting points, form A N.O. type bistable reed switch
Switch rating: AC 125V 0.5A / DC 100V 10W / Max. DC 250V < 1mA
Weight: 0.3~0.4 kg
 (Contact setting point should be within 10% to 80% of FS)

Dimensions



Flow Direction Types



Ordering Information

SF300	Code	Flow Range [Water-LPM (Litter per Minute) & GPM (Gallon (us) per Minute)]				
	A	0.4~4 LPM	F	5~50 LPM	K	0.8~8 GPM
	B	2~10 LPM	G	6~60 LPM	L	1~10 GPM
	C	2~20 LPM	H	0.1~1 GPM	M	1.3~13 GPM
	D	3~30 LPM	I	0.5~2.5 GPM	N	1.5~15 GPM
	E	4~40 LPM	J	0.5~5 GPM		
		Code	Alarm Switch			
		1R	One setting point			
		2R	Two setting points			
		0	Without alarm			
		Code	Body Material			
		PC	Polycarbonate	PSU	Polysulfone	
		Code	Connection Material			
		1	SS316			
		Code	Process Connection in Female			
		A	3/8" NPT (L=150mm)			
		B	1/2" NPT (L=150mm)			
		C	3/4" NPT (L=150mm)			
		Code	Flow Direction			
		BT	Bottom to Top			
		TB	Top to Bottom			
		RL	Right to Left			
		LR	Left to Right			
SF300						Complete ordering code