

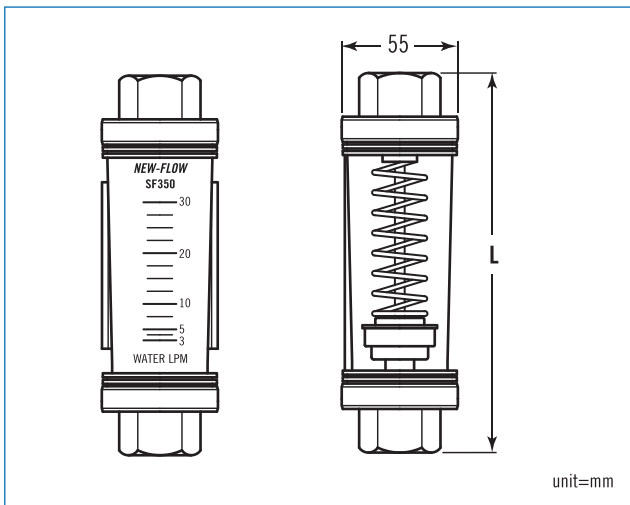
PLASTIC FLOW METER – Spring Type

SF350 *with alarm switch type*
without alarm switch type

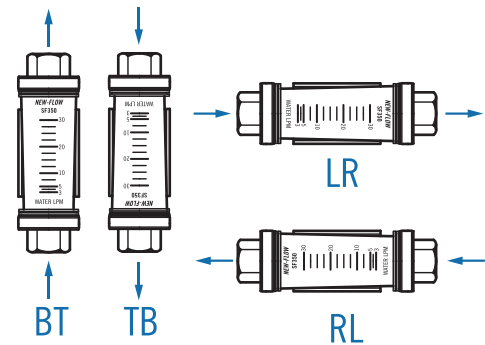
Technical Data

Service: Liquid, Oil
Wetted parts material:
 Body: Polycarbonate (P.C); Polysulfone (PSU) available
 O-ring: Viton
 Float: PPS plastic
 Connection: SS316
 Spring: SS316
Connection size: ¾", 1", 1¼", 1½" NPT female available
Mounting: Vertical and Horizontal available, various flow directions
Max. working pressure limit: 1.2 MPa (12 kg/cm²)
Max. test pressure: 2.0 MPa (20 kg/cm²) (water 25°C)
Max. working temperature limit: -10°C to 60°C (for PC body)
 -10°C to 110°C (for PSU body)
Accuracy: ±5% full scale
Alarm switch: One setting point, form A N.O. type bistable reed switch
Switch rating: AC 125V 0.5A / DC 100V 10W / Max. DC 250V < 1mA
Weight: 0.5~0.6 kg
 (Contact setting point should be within 10% to 80% of FS)

Dimensions



Flow Direction Types



Ordering Information

SF350	Code	Flow Range [Water-LPM (Litter per Minute)]	Code	Process Connection in Female
	A	7~70 LPM	A	¾" NPT (L=170mm)
	B	10~100 LPM	B	1" NPT (L=170mm)
	C	15~150 LPM	C	1¼" NPT (L=178mm) (only for 200LPM or 250LPM)
	D	20~200 LPM (only for connection size 1¼" or 1½")	D	1½" NPT (L=178mm) (only for 200LPM or 250LPM)
	E	25~250 LPM (only for connection size 1¼" or 1½")		
	Code	Alarm Switch	Code	Flow Direction
	1R	One setting point	BT	Bottom to Top
	0	Without alarm	TB	Top to Bottom
	Code	Body Material	RL	Right to Left
	PC	Polycarbonate	LR	Left to Right
	PSU	Polysulfone		
	Code	Connection Material		
	1	SS316		

SF350 [] [] [] [] + [] [] Complete ordering code