

STERILE FLOW SIGHT GLASS

SG-SERIES

SG-Series consist of sanitary fitting, polished, Stainless Steel Body and O-Ring Seal are designed for high purity hygienic fluids system. Directly mounted in pipe line with sterile sanitary fittings. To Provide a clear visual which could detect any fluids in line through a transparent glass tube.

Technical Data

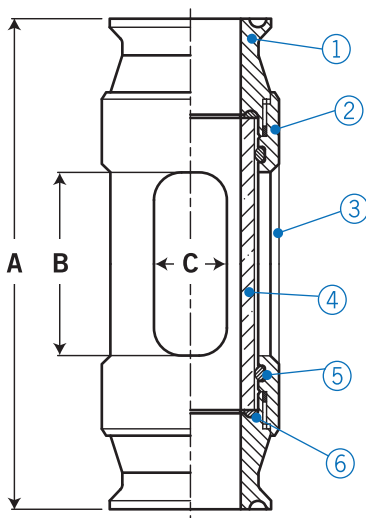
Material: Body: Polished SS316 ; Connection: Sanitary Fitting SS316;
Glass Tube: Borosilicate Glass ; O-Ring: Viton or Silicone (All gaskets meet USP Class VI, are FDA compliant and are fully traceable)

Process Connection: ISO2852: 3/8", 1/2", 3/4", 1", 1 1/2", 2";
DIN32676: 10, 15, 20, 25, 40, 50

Operating Pressure Limited: Up to 150 psig @ 25°C ; Up to 20 psig @150°C
Operating Temperature Limited: Up to 150°C (300°F)



Dimensions & Parts List



Parts Name & Material List

Item	Parts Name	Material
1	Sanitary Fitting	SS316
2	Body	SS316
3	Tube Housing	SS316
4	Lens Tube	Borosilicate Glass Tube
5	Body O-Ring	Viton or Silicone
6	Connection O-Ring	Viton

Dimensions Data-mm

Size	A (±1.0mm)	B (±1.0mm)	C (±1.0mm)	Approx. Weight
3/8"	65	20	9	0.15 kg
1/2"	76	20	9	0.20 kg
3/4"	87	30	11	0.20 kg
1"	91	30	16	0.45 kg
1 1/2"	105	40	24	0.50 kg
2"	120	48	35	0.70 kg

Ordering Information

SG-Series	Code	Body Material				
↓	S	Polished SS316				
	↓	Code	Body O-Ring Material			
		V	Viton	S	Silicone	
	↓	Code	Lens Tube Material			
		S	Borosilicate Glass Tube			
	↓	Code	Process Connection Type			
		ISO	ISO2852	DIN	DIN32676	
		Code	Process Connection Size			
	↓	ISO	(1) 3/8" (2) 1/2" (3) 3/4" (4) 1" (5) 1 1/2" (6) 2"			
		DIN	(7) 10 (8) 15 (9) 20 (10) 25 (11) 40 (12) 50			
SG-Series						Complete Ordering Code