

# FILLED TYPE THERMOMETERS W/MICRO SWITCH

## SME4/SAE4(Ø100) & SME6/SAE6(Ø150)

### Technical Data

**Remote Mounting Type**

**Material of Case & Cover:** 316 Stainless Steel, option available

**Material of Sensor Bulb Capillary Tube, Flex Tube:**

SS304, SS316, and others available

**Lens:** Glass, safety glass available

**Range Limit:** -200 ~ +600°C, option available

**Housing Enclosure:** IP66

**Accuracy:** Gauge Indication: ±1% F.S; Switch Acting Differential: ±1.6~3% F.S

**Capillary Tube Length Limited:** Liquid filled type: 10M;

Gas filled type: max. 50M; option available

**Stem Dimensions:** ø6, 8, 10, 12mm available

**Inner Zero Adjustable (option)**

**Process Connection:** ½"NPT standard; other available

**Over Range Protection:** 130% F.S.

**Switch Form:** One setting point SPDT x 1 or Two setting point SPDT x 2

**Set Point:** Full scale range available

**Switch Data:**

	AC Load	DC Load
Nominal Operating Voltage	250 VAC max.	28 VDC max.
Current	5A max.	5A max. (ohmic load) 3A max. (inductive load)
Contact Material	Pure silver 999.9	Pure silver 999.9
Ambient Temperature	-20°C ~ +70°C	-20°C ~ +70°C

**SAE**  
(Panel Mounting)



PATENT NO.  
M337067

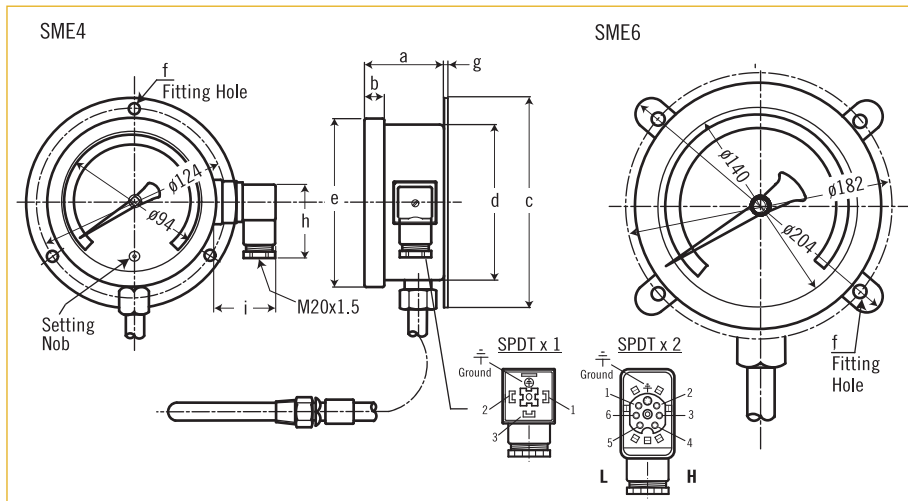


PATENT NO.  
M337067



**SME**  
(Wall Mounting)

### Dimensions

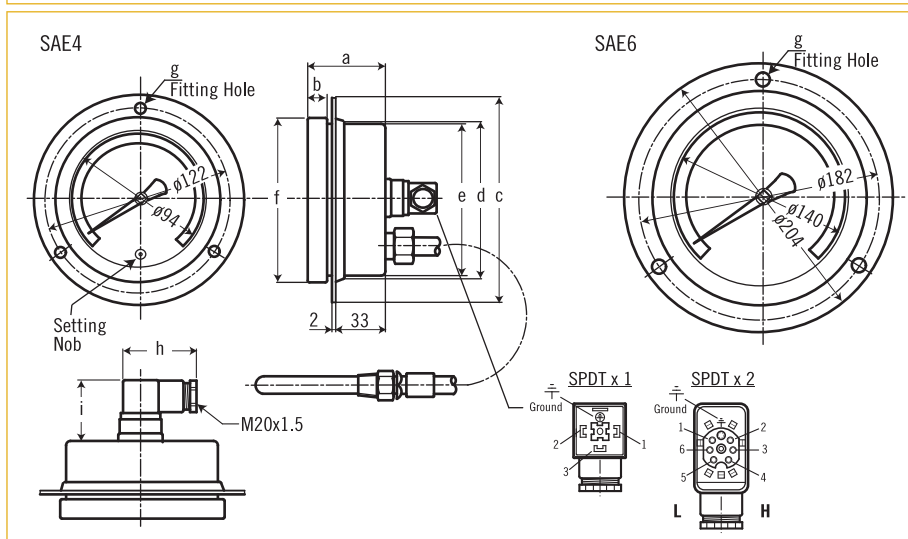


Symbol	a	b	c	d	e	f	g
Model							
SME4	70	33	138	102	113	3-ø5.5	9
SME6	73.5	34	204	153	165	4-ø8.0	2

unit=mm

Switch Form	h	i
SPDT x 1	54	44
SPDT x 2	72	51

\*Sensor bulb and connection consult to factory.  
\*Remote capillary length: Maximum length 50M



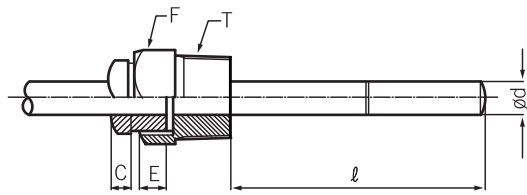
Symbol	a	b	c	d	e	f	g
Model							
SAE4	74	33	134	107	102	113	3-ø5.5
SAE6	73.5	34	204	153	153	165	3-ø7.0

unit=mm

Switch Form	h	i
SPDT x 1	54	44
SPDT x 2	72	51

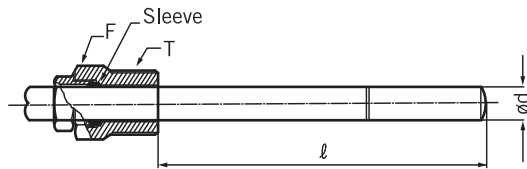
\*Sensor bulb and connection consult to factory.  
\*Remote capillary length: Maximum length 50M

## Connection Type



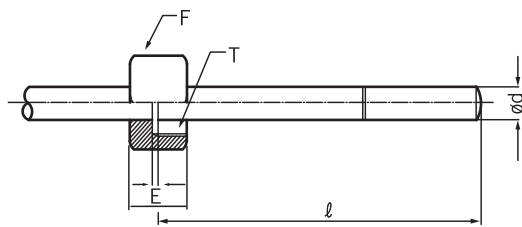
### (A) Rotary Thread Type (Male thread)

(The male thread position is immobile, but rotation 360° available.)



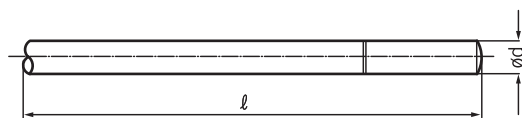
### (B) Slide Thread Type (Length "l" changed available.)

(The slide thread can be moved up and down, and the length of sensor can be adjusted by user.)



### (C) Rotary Thread Type (Female thread)

(The female thread position is immobile, but rotation 360° available.)



### (D) Non Thread Type

T: Process connection  
E: Stop plate for (rotary & rotation style)  
F: Hexagonal head  
l: Sensor length  
d: Sensor dimension

## Table for Range and Insertion

### LIQUID FILLED TYPE

Standard Scale Range (°C)	Minor Division (°C)		Minimum Insertion Length (mm)			
			Outer Diameter of Stem			
	Ø100	Ø150	Ø6	Ø8	Ø10	Ø12
-30~+50	1	1	135	91	53	37
-30~+100	2	2	89	61	38	28
-10~+50	1	1	175	116	66	45
-10~+100	2	2	102	70	42	31
0~50	1	1	207	137	76	52
0~80	1	1	135	91	53	37
0~100	1	1	111	75	45	33
0~120	2	2	95	65	40	29
0~150	2	2	79	55	34	26
0~200	2	2	63	44	29	23
0~250	5	5	53	38	26	21
0~300	5	5	47	34	24	20
0~400	5	5	39	29	21	18

### GAS FILLED TYPE

Standard Scale Range (°C)	Minor Division (°C)	
	Ø100	Ø150
-200~+50	5	5
-200~+100	5	5
-200~+150	5	5
-200~+200	5	5
-100~+100	2	2
-100~+150	5	5
-100~+200	5	5
-50~+300	5	5
-50~+400	5	5
-50~+500	10	10
-50~+600	10	10
0~400	5	5
0~500	10	10
0~600	10	10

### Minimum Stem Length

mm	Ød	Ø10	Ø12
Minimum length		270	200

### OPTION.

1. Please note the minimum insertion length is not including the thread.
2. Special Range / Scale / Stem Diameter / Length are available upon request.

