

SIGHT GLASS SO SERIES

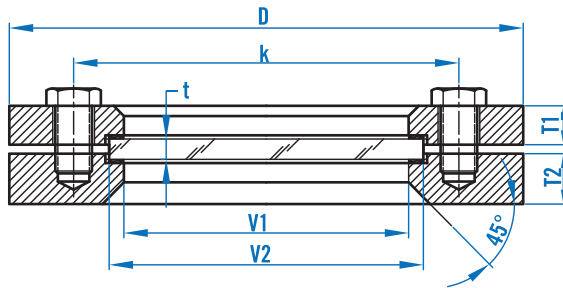
Welding– On Vessel Type
Low Pressure System Used

Technical Data

Size: 1"~10" available
Pressure Limit: Up to 5 bar (kg/cm²); depending on request size
Temperature Limit: Up to 280°C
Material: Wetted part & Body–SS304, SS316 and others on request
 Sight Glass–Transparent tempered glass
 Bolt–SS304 and others on request



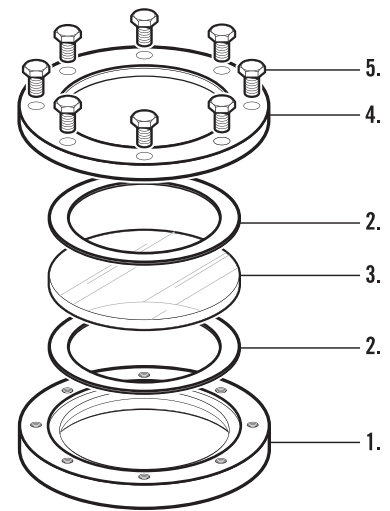
Dimensions



unit=mm

Size (inch)	1"	2"	3"	4"	5"	6"	8"	10"
Pressure Limit (bar)	5	5	5	5	5	5	4	3
V1 – Visible Diameter	50	80	100	125	150	175	225	300
V2 – Visible Diameter	60	89	114	150	175	200	250	325
t – Tempered Glass Thickness	10	10	12	15	19	19	25	25
D – Flanges O.D	100	150	177	203	229	255	304	405
T1	20	20	20	20	25	25	30	35
T2	25	25	28	35	38	40	45	50
Bolts (Pitch)	78	127	152	178	204	229	280	366
Bolt No.	4	4	4	8	8	8	8	8
Bolt Size	M12	M12	M12	M12	M12	M12	M12	M12
Bolt Length	30	30	30	35	35/45	35/45	40/45	45

Parts List



Item	Part Name
1.	Body
2.	Gasket
3.	Tempered Glass
4.	Cover
5.	Bolt

Ordering Informaion

SO	Code	Body Material
↓	1	SS304
		2 SS316
		3 Option
	Code	Size
	(1) 1" (2) 2" (3) 3" (4) 4"	
	(5) 5" (6) 6" (7) 8" (8) 10"	
↓	↓	↓
SO	<input type="text"/>	<input type="text"/>
Complete Ordering Code		