

# MASS FLOW METERS

## THF SERIES – Flow Rate & Totalizer LCD Display

### THF SERIES – Flow Rate With or Without LCD Display

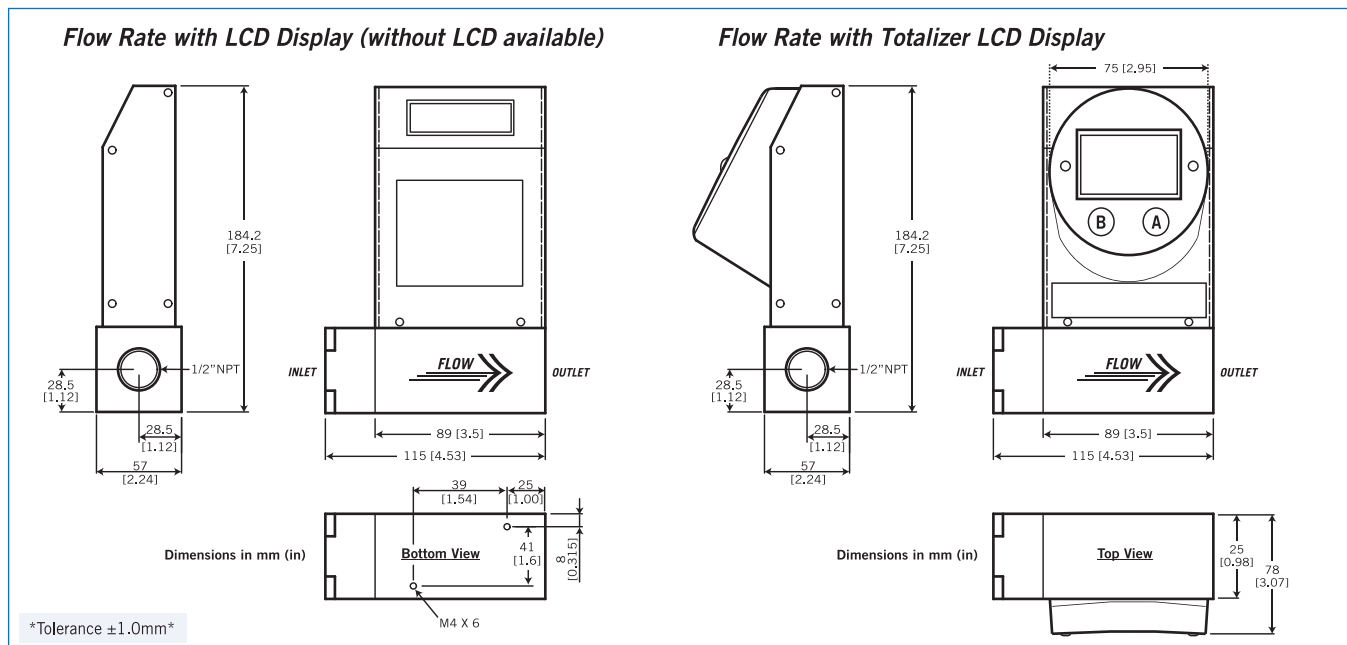
- ±1% Accuracy
- Linear Output
- Thermal Technology
- For Using in Non Corrosive Gas
- For Flow Rates up to 500 SLM
- Power Supply Included

The NEW-FLOW Thermal Mass Flow Meters provide high performance. Thermal Technology offers advantages in accuracy, sensitivity and turn quality components and the latest technology are combined to provide reliable, compact meters and controllers. The THF Series comes With or Without an LCD Display; or Flow Rate with Totalizer LCD Display. All models come with linear 0-5VDC and 4-20mA output. The THF Series measures the mass flow rate of gases in 4 ranges from 0-250 SLM to 0-500 SLM as shown in the range table.

### Technical Data

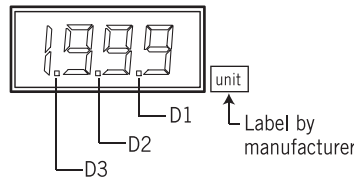
- Type:** Without LCD Display; Flow Rate with LCD Display; Flow Rate with LCD Display & Blue Back Lighted; Flow Rate with Totalizer LCD Display & Blue Back Lighted
- Wetted Parts Material:** Standard flowbody–SS316, option available O-ring– Viton
- Output Signal:** 0-5 VDC Linear min. load 1000Ω or 4-20 mA Linear, loop resistance 500Ω
- Input Power:** 24VDC standard; optional power supply 15VDC 115VAC, 220VAC @500mA
- Accuracy:** ±1% F.S. (including linearity)
- Turn Down Ratio:** 100:1
- Repeatability:** ±0.15% F.S. or Better
- Electric Connection:** 9 Pin Sub “D”
- Process Connection:** ½”NPT female
- Range:** 0-250 SLM to 0-500 SLM
- Minimum Pressure:** 100” H<sub>2</sub>O
- Max. Pressure:** 500 psig
- Temperature Range:** 0~50°C
- Response Time:** 1 Second
- Temp. Coefficient:** 0.05% Full Scale per 1°C or Better
- Pressure Coefficient:** 0.01% Full Scale per PSIG or Better
- Flow Unit:** Kg, GAL, Nℓ, Nm<sup>3</sup>, cc, ℓ, M<sup>3</sup>  
(Flow rate with LCD display: Label by manufacturer; Flow rate with totalizer LCD display: Unit LCD display)
- Weight:** app. 2.45 kg with power supply  
app. 2.59 kg with power supply & totalizer

### Dimensions



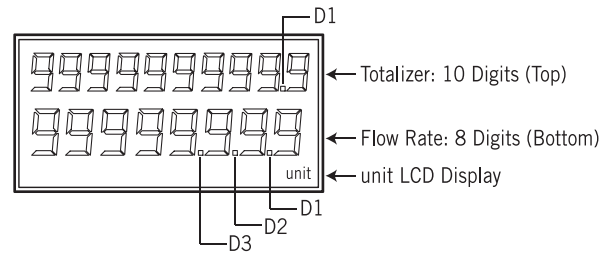
### Display Digital Decimal Point Function

Flow Rate with LCD Display:



Range	Decimal Point
0 ~ 1.999	D3
2.0 ~ 19.99	D2
20.0 ~ 199.9	D1
200 ~ 1999	None

Flow Rate with Totalizer LCD Display :



### Range Table

Code	SLM
00	0-250
01	0-300
02	0-400
03	0-500
04	*Custom Flow Rate

**NOTE.**

\*Please notice that the max. flow rate is 500 SLM.

### Ordering Information

THF	Code	Flow Range
	00	0~250 SLM
	01	0~300 SLM
	02	0~400 SLM
	03	0~500 SLM
	04	*Custom range (please directly fill in the requested range)

Code	Wetted Parts Material
A	SS316
O	option

Code	Process Connection
1	1/2"NPT(F)

Code	Display
W	Flow Rate with LCD Display
B	Flow Rate with LCD Display & Blue Back Lighted
T	Flow Rate with Totalizer LCD Display & Blue Back Lighted
O	Without LCD Display

Code	Output Signal
(1)	0~5 VDC
(2)	4~20mA

Code	Input Power
(1)	24 VDC
(2)	15 VDC

Code	Power Supply for 24 VDC
(1)	With
(2)	Without

THF										Complete Ordering Code