

## FLOW SIGHT GLASS GAUGE

### T SERIES – Thread Connection With Spring Paddle

The flow sight glass was designed with spring paddle for easy observation of flowing fluid from any direction.

#### Technical Data

**Service:** – Compatible gas and liquid  
 – Water treatment system  
 – Industrial flow system  
 – Double window indication

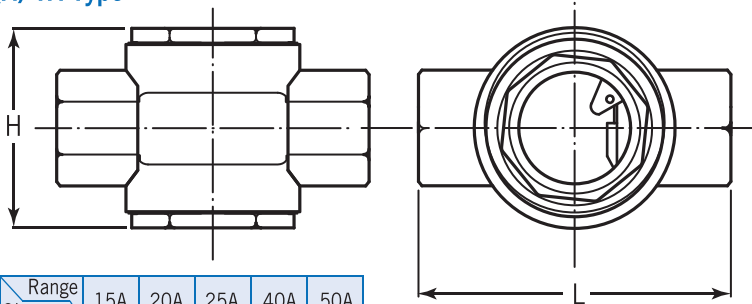
**Material:** Body–SS304, SS316, SS316L ; Paddle–SS316; Spring–SS316  
 Guge–Tempered glass; Gasket–Teflon, Gore Tex, Graphite

**Max working temperature:** 150°C (Teflon), 300°C (Gore-Tex)

**Max working pressure:** TA type-10 kg/cm<sup>2</sup> at 25°C water  
 TB type-15 kg/cm<sup>2</sup> at 25°C water

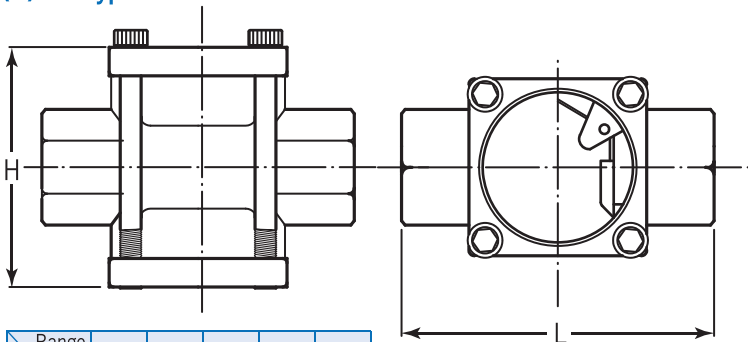
#### Dimension

##### (A) TA Type



| Range Size | 15A | 20A | 25A | 40A | 50A |
|------------|-----|-----|-----|-----|-----|
| L          | 114 | 114 | 114 | 130 | 150 |
| H          | 72  | 72  | 72  | 120 | 136 |

##### (B) TB Type



| Range Size | 15A | 20A | 25A | 40A | 50A |
|------------|-----|-----|-----|-----|-----|
| L          | 114 | 114 | 114 | 130 | 150 |
| H          | 72  | 72  | 72  | 115 | 129 |

unit=mm



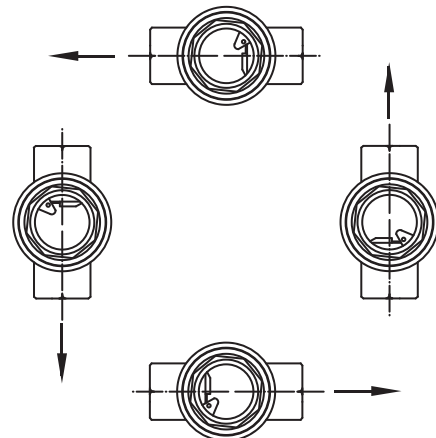
TA TYPE



TB TYPE



#### Mounting Position



#### Ordering Information

| TA/TB | Code | Body Material                           | Code | CE 1128 mark Request   |
|-------|------|---|------|------------------------|
| ↓     | ↓    | (A) SS304 (B) SS316 (C) SS316L          | 1    | with label sticker     |
|       |      | Code Size                               | 2    | with S.S nameplate     |
|       |      | (1) 15A (2) 20A (3) 25A (4) 40A (5) 50A | 3    | stamp                  |
|       |      | Code Connection Thread                  | 4    | without                |
|       |      | (1) NPT (2) PF (3) Option               |      |                        |
|       |      | Code Gasket Material                    |      |                        |
|       |      | (1) Teflon (2) Gore-Tex (3) Graphite    |      |                        |
| ↓     | ↓    | ↓                                       | ↓    | Complete Ordering Code |