

THREAD TYPE THERMOWELLS

Technical Data

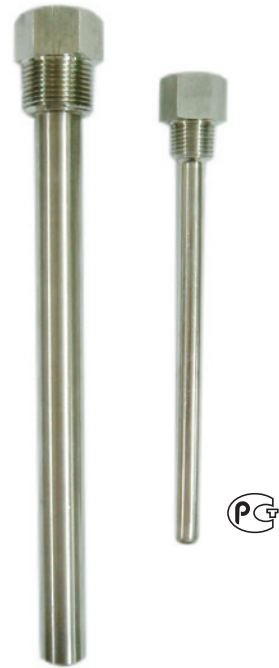
Welded type: WST, WLT,

Drilled bar stock type: BST,BLT,BTT,BTLT,BPST,BPLT

Material: SS304, SS316, SS316L, Monel, Hastelloy C 276, Brass, Carbon Steel, Titanium (special material available upon request)

Process connection: 1/2" ~2" male available (special thread upon request)

Instrument connection: 1/2"NPT, 3/4" NPT Female available (special thread upon request)

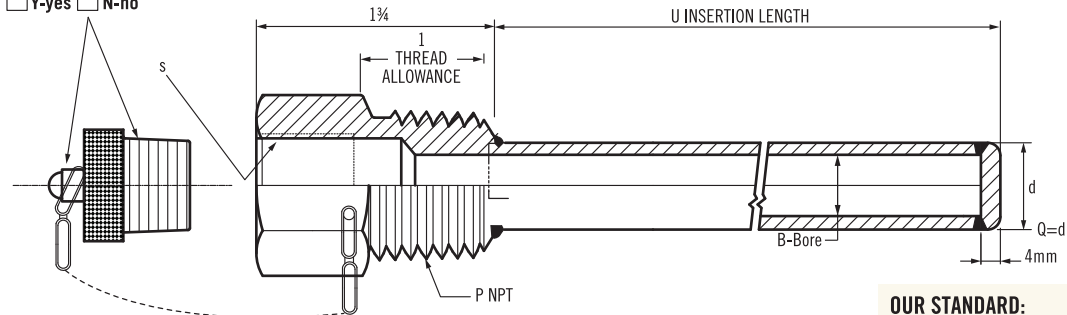


Thread Wells Series

Model : WST(Welded Standard Thread Type)

PLUG WITH CHAIN (OPTIONAL)

Y=yes N=no



Tube Welded Type

OUR STANDARD:

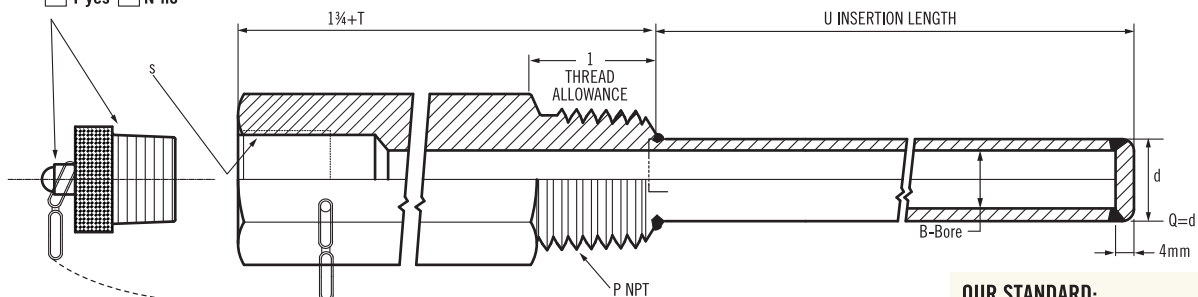
- (1) O.D-10 , I.D-7mm
- (2) O.D-12 , I.D-9mm
- (3) O.D-14 , I.D-10mm

No custom request for this type!

Model : WLT(Welded Lag Thread Type)

PLUG WITH CHAIN (OPTIONAL)

Y=yes N=no



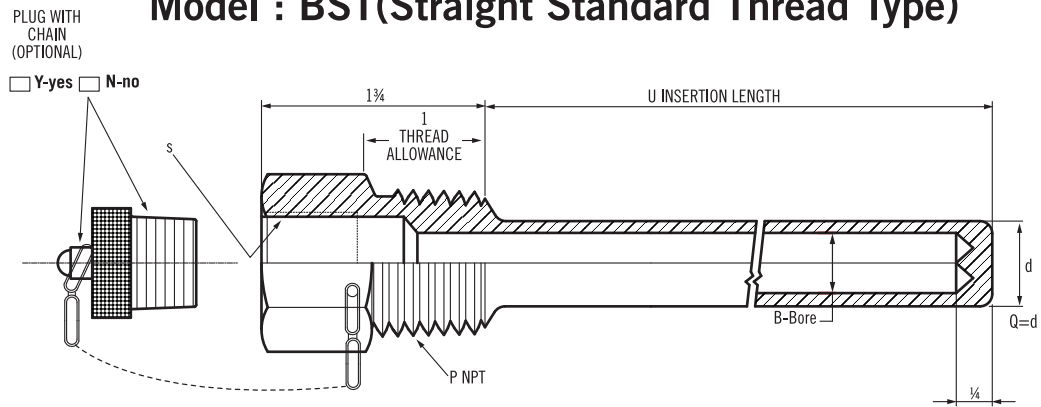
Tube Welded Type

OUR STANDARD:

- (1) O.D-10 , I.D-7mm
- (2) O.D-12 , I.D-9mm
- (3) O.D-14 , I.D-10mm

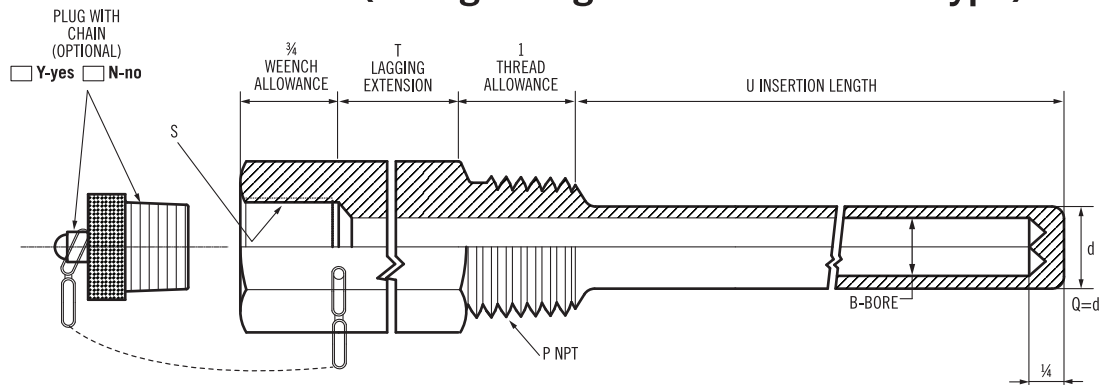
No custom request for this type!

Model : BST(Straight Standard Thread Type)



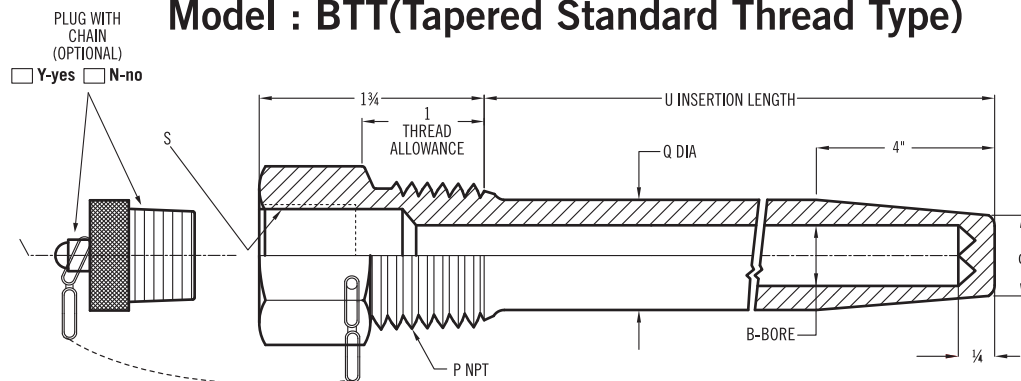
Bar Drilled Type

Model : BLT(Straight Lag Extension Thread Type)



Bar Drilled Type

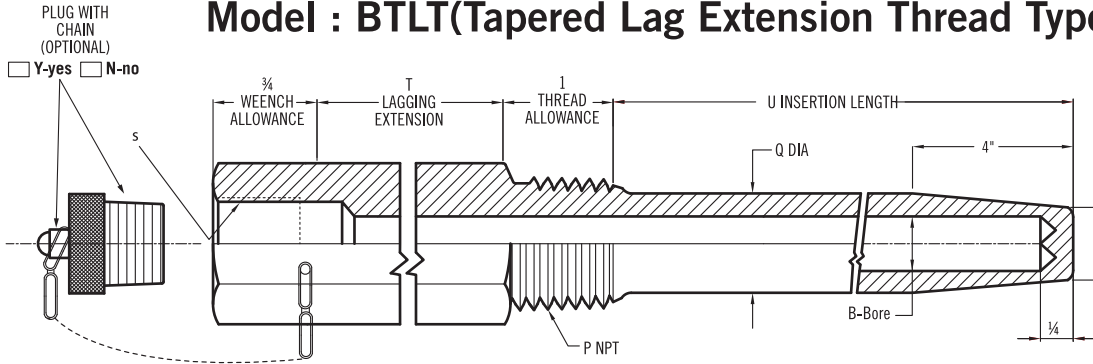
Model : BTT(Tapered Standard Thread Type)



Bar Drilled Type

- Standard: Q x d
 (1) 19 x 15mm
 (2) 25 x 22mm
 (3) 22 x 19mm

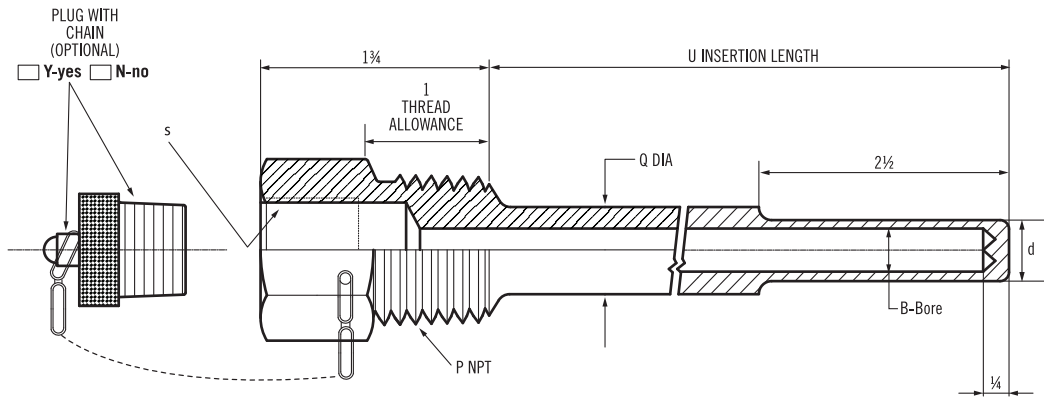
Model : BTLT(Tapered Lag Extension Thread Type)



Bar Drilled Type

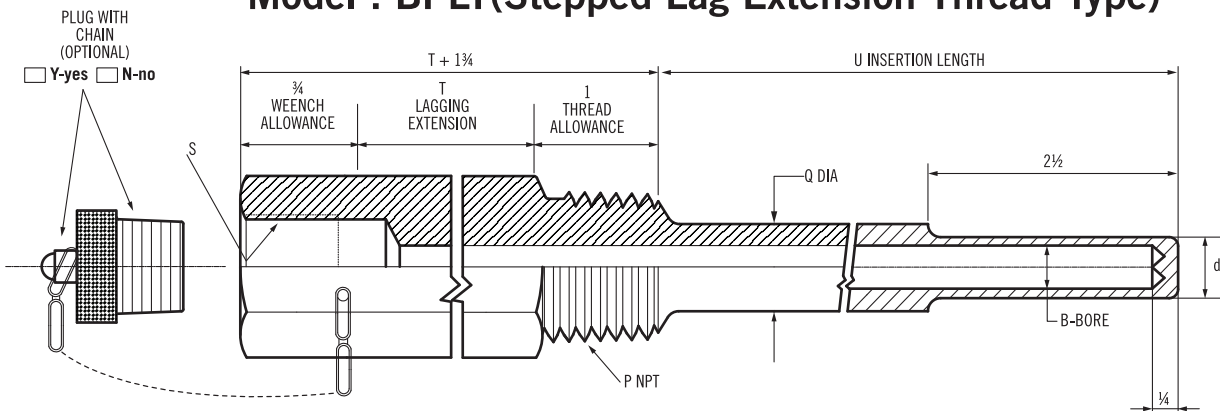
Standard: Q x d
 (1) 19 x 15mm
 (2) 25 x 22mm
 (3) 22 x 19mm

Model : BPST(Stepped Standard Thread Type)



Bar Drilled Type

Model : BPLT(Stepped Lag Extension Thread Type)



Bar Drilled Type

Ordering Information

Model	Configuration Style									
	WST	WLT	BST	BLT	BTT	BTLT	BPST	BPLT		
<div style="display: flex; flex-direction: column; align-items: center; justify-content: space-around;"> <div style="width: 100%; border-left: 1px solid black; border-right: 1px solid black; height: 100%;"></div> <div style="width: 100%; border-left: 1px solid black; border-right: 1px solid black; height: 100%;"></div> <div style="width: 100%; border-left: 1px solid black; border-right: 1px solid black; height: 100%;"></div> <div style="width: 100%; border-left: 1px solid black; border-right: 1px solid black; height: 100%;"></div> <div style="width: 100%; border-left: 1px solid black; border-right: 1px solid black; height: 100%;"></div> <div style="width: 100%; border-left: 1px solid black; border-right: 1px solid black; height: 100%;"></div> <div style="width: 100%; border-left: 1px solid black; border-right: 1px solid black; height: 100%;"></div> <div style="width: 100%; border-left: 1px solid black; border-right: 1px solid black; height: 100%;"></div> <div style="width: 100%; border-left: 1px solid black; border-right: 1px solid black; height: 100%;"></div> <div style="width: 100%; border-left: 1px solid black; border-right: 1px solid black; height: 100%;"></div> <div style="width: 100%; border-left: 1px solid black; border-right: 1px solid black; height: 100%;"></div> <div style="width: 100%; border-left: 1px solid black; border-right: 1px solid black; height: 100%;"></div> <div style="width: 100%; border-left: 1px solid black; border-right: 1px solid black; height: 100%;"></div> <div style="width: 100%; border-left: 1px solid black; border-right: 1px solid black; height: 100%;"></div> <div style="width: 100%; border-left: 1px solid black; border-right: 1px solid black; height: 100%;"></div> </div>	Code	Material								
	CS	Carbon Steel		MO	Monel					
	S1	304 Stainless Steel		HC	Hastelloy C276					
	S2	316 Stainless Steel		Ti	Titanium					
	S3	316L Stainless Steel		OP	Option (please indicate material)					
		Code	Process Connection (P)							
			(1) ½" (2) ¾" (3) 1" (4) 1½" (5) 2" (6) option (please indicate size)							
		Code	S-Instrument Connection							
		A	½"NPT Female		0	option				
		B	¾"NPT Female							
		Code	Lag Length "T"							
		No	0	T6	6"					
		T3	3"		Tn	option (please indicate length)				
		Code	"Q" Diameter (mm)							
			Please directly fill in the required diameter.							
	Code	"d" Diameter (mm)								
		Please directly fill in the required diameter.								
	Code	"B" BORE Diameter								
		(1) Ø6 (2) Ø7 (3) Ø8 (4) Ø9 (5) Ø10 (0) option								
	Code	"U" Insertion Length								
		Fill in the requested length: e.g. 300mm=300u								
	Code	Plug with Chain								
	Y	Yes								
	N	No								
		Complete Ordering Code								