

# PLASTIC FLOW METER

**VF300** with alarm switch type  
without alarm switch type

## Technical Data

**Service:** Water, Air

**Wetted parts material:**

Body: Polycarbonate (P.C); Polysulfone (PSU) available

O-ring: Viton

Float: magnet cover with PPS Plastic

Connection: SS316

**Connection size:** 3/8", 1/2", 3/4"NPT female available

**Mounting:** Vertical position

**Max. working pressure limit:** 1.2 MPa (12 kg/cm<sup>2</sup>)

**Max. test pressure:** 2.0 MPa (20 kg/cm<sup>2</sup>) (water 25°C)

**Max. working temperature limit:** -10°C to 60°C (for PC body)  
-10°C to 110°C (for PSU body)

**Accuracy:** ±5% full scale

**Alarm switch:** One or Two setting points, form A N.O. type bistable reed switch

**Switch rating:** AC 125V 0.5A / DC 100V 10W / Max. DC 250V < 1mA

**Weight:** 0.3~0.4 kg

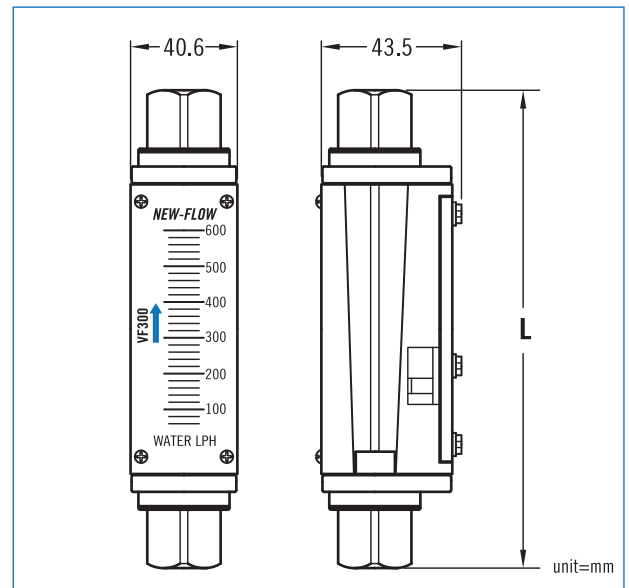
(Contact setting point should be within 10% to 80% of FS)



## Ordering Information

VF300	Code	Flow Range						
↓	<b>A-1</b>	Water (LPH-Litter per Hour)						
		(1) 5~50 (2) 6~60 (3) 12~120 (4) 20~200 (5) 30~300 (6) 60~600						
	<b>A-2</b>	Water (LPM-Litter per Minute)						
		(7) 0.1~1 (8) 0.2~2 (9) 0.3~3 (10) 0.5~5 (11) 1~10						
	<b>B</b>	Air (LPM-Normal Litter per Minute)						
		(1) 3~30 (2) 6~60 (3) 12~120 (4) 18~180 (5) 40~400						
	<b>C-1</b>	Water (GPH-Gallon (us) per Hour)						
		(1) 1.2~12 (2) 1.5~15 (3) 3~30 (4) 5~50 (5) 8~80						
	<b>C-2</b>	Water (GPM-Gallon (us) per Minute)						
		(6) 0.12~1.2 (7) 0.25~2.5						
	<b>D</b>	Air (SCFM-Standard Cubic Feet per Minute)						
(1) 0.1~1 (2) 0.2~2 (3) 0.4~4 (4) 0.6~6 (5) 1.4~14								
↓	<b>Code</b>	<b>Alarm Switch</b>						
	1R	One setting point						
	2R	Two setting points						
	0	Without alarm						
↓	<b>Code</b>	<b>Body Material</b>						
	PC	Polycarbonate      PSU      Polysulfone						
↓	<b>Code</b>	<b>Connectoin Material</b>						
	1	SS316						
↓	<b>Code</b>	<b>Process Connection in Female</b>						
	A	3/8"NPT (L=150mm)						
	B	1/2"NPT (L=150mm)						
↓	<b>Code</b>	<b>Flow Direction</b>						
	BT	Bottom to Top						
VF300								Complete ordering code

## Dimensions



## Flow Direction Types



BT