

TUNING FORK VIBRATING LEVEL SWITCH

VLS5000

Housing: IP68

Explosion Proof:

Class I, Groups A, B, C, D;

Class II, Groups E, F, G; NEMA 4X

VLS5000 Series are assembled with a tuning fork and energized sensor. It vibrates frequently with mechanical resonance to detect the liquid level when the tuning fork is immersed into process liquid.

Technical Data

Wetted part material: 316 stainless steel

Thread connection: 1" NPT, 1" BSP

Flange connection: from 1" to 3", JIS, ANSI, DIN, and Clamp available

Detection length: minimum 130 mm maximum 400 mm

Working temperature: -30°C~+80°C

Working pressure: maximum 100 kg/cm², up to 400 kg/cm² on request

Liquid viscosity: 0.2~10000 mpas

Liquid density: 0.6 g/cm³~2.5 g/cm³

Housing: IP68

Explosion Proof: Class I, Groups A, B, C, D; Class II, Groups E, F, G; NEMA 4X

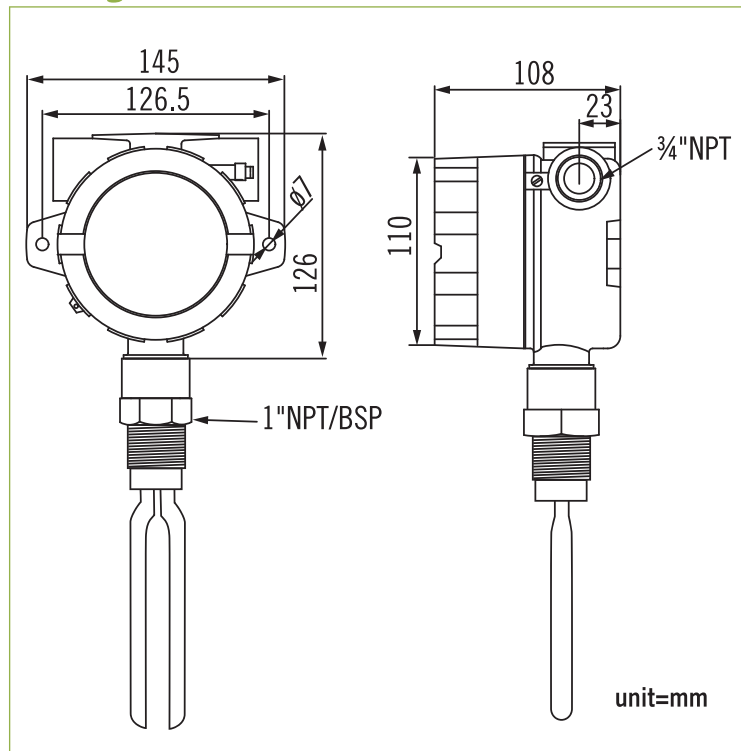
Power Supply: 110VAC, 220VAC, 24VDC

Contact Form: SPDT

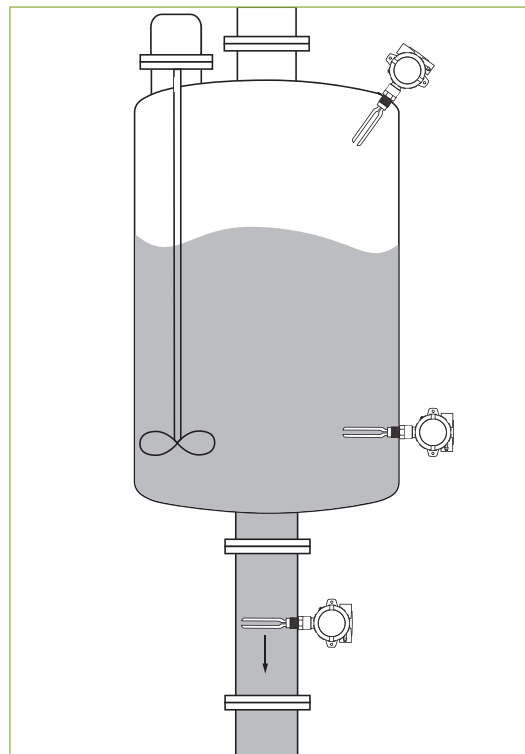
Contact Rating: 20A/125VAC, 12A/250VAC



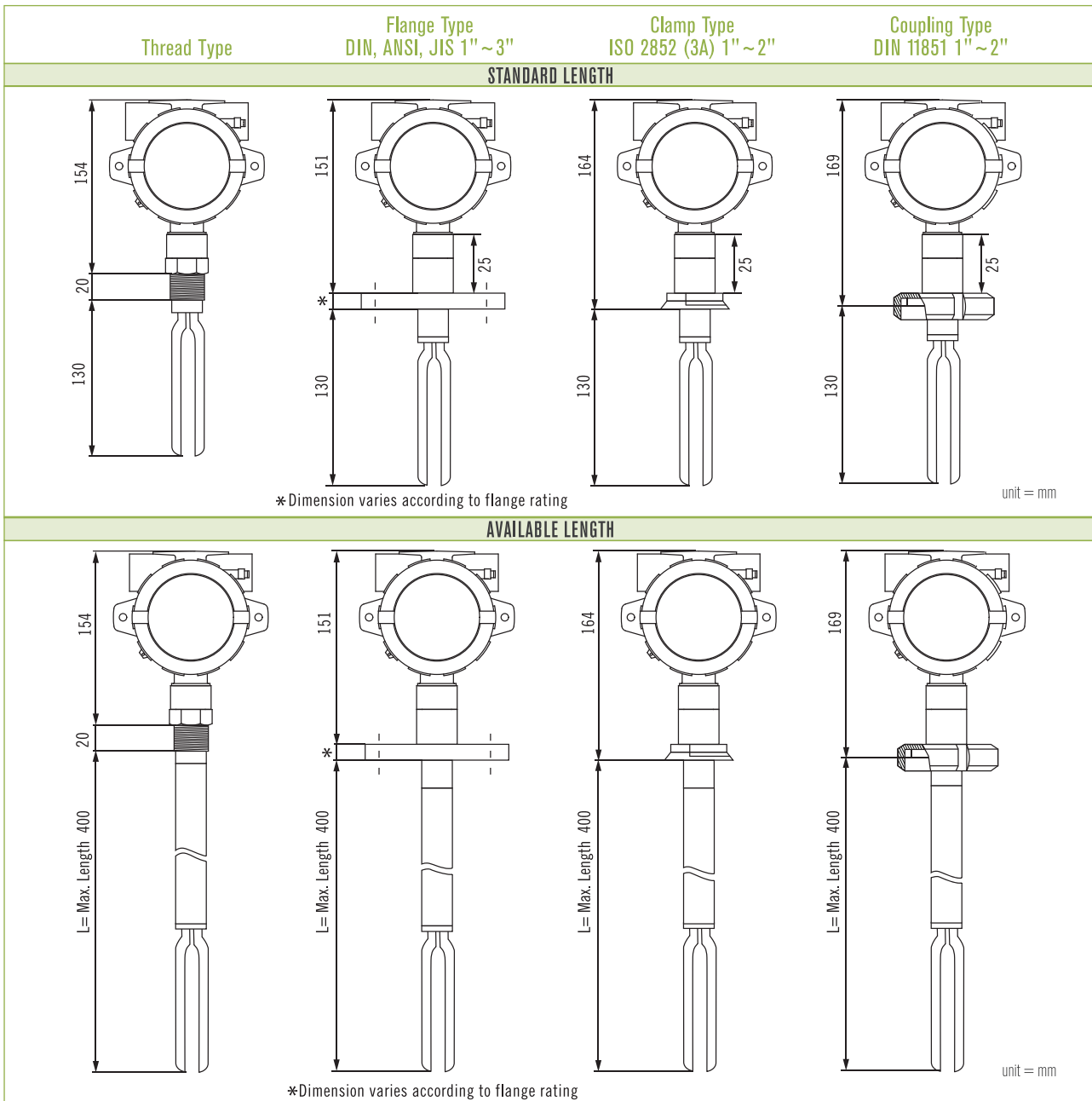
Housing Dimensions



Application and Installation



Process Connections



Ordering Information

VLS5000	Code	Process Connection
		(1) Thread type (2) Flange type (3) Clamp type (4) Coupling type
	Code	Connection Size
		(A) 1" (Thread only) (B) 1½" (C) 2" (D) 3"
	Code	Connection Rating
		Thread: (1) NPT (2) BSP Flange: (3) JIS10K (4) JIS20K (5) ANSI 150# (6) ANSI 300# (7) PN10 (8) PN16 (9) PN25 (0) Option: fill in the requested rating _____
	Code	Electronic Connection
		(E) ¾"NPT Female, Standard (F) ½"NPT Female
	Code	Insertion Length
	S	Standard
	L	Fill in the requested length ie: L=300mm
	Code	Power Supply
		(A) 110VAC (B) 220VAC (C) 24VDC
VLS5000		Complete Ordering Code