

DU06

Ultrasonic flowmeter and counter with local indication

- **Rugged, heavy-duty meter, brass and stainless steel versions**
- **for 1/2" to 2" pipe**
- **Excellent turndown ratio**
- **Two-line LCD display for flow and total indication**
- **Outputs: 4-20 mA, 0-10 V for flow or pulses for totalizing, 2 programmable limit switches**



Description:

The DU06 flowmeter is fitted with two ultrasonic sensors that are facing each other. The echo travel time is a function of the flow rate. The sensors act alternately as transmitter and receiver. The echo time difference is proportional to the flow rate. In contrast to other types of ultrasonic flowmeters, the sensors are oriented parallel to the flow stream. This results in an extremely compact meter which is highly accurate, has outstanding turndown ratio dynamics and can monitor and meter very high flow rates without any reduction in pipe cross-sectional area.

Typical Applications:

The DU06 measures, monitors and totalizes liquid flow. Among the applications for this device are cooling systems (water / glycol mixtures), non-conductive products (demineralized water, oils) and chemically aggressive and caustic liquids.

Models:

DU06.M...	brass version, housing made of brass 2.0401, sensors made of stainless steel 1.4571, Viton gaskets, (EPDM optional), for 1/2" pipe
DU06.E...	stainless steel version, housing made of stainless steel 1.4571, sensors made of stainless steel 1.4571, Viton gaskets, (EPDM optional), for 1" to 2" pipe

Measuring ranges:

Measuring range *)	Brass version	Stainless steel version	Process connection
0.5 to 80 l/min	DU06.M...R015	-	1/2" male thread
1 to 180 l/min	-	DU06.E...R025	1" male thread
8 to 1000 l/min	-	DU06.E...R050	2" male thread

*) Maximum ranges are quoted. The output can be programmed for end values < max. measuring range for a higher resolution.

Electrical Connection:

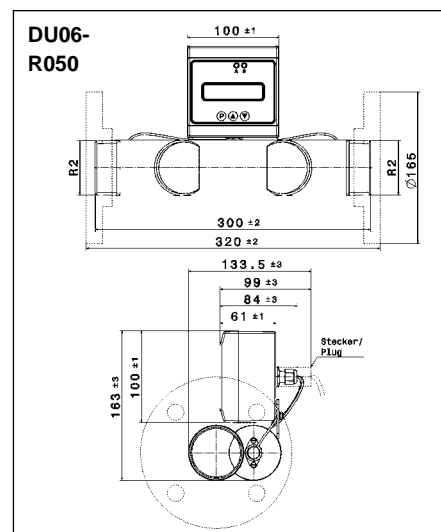
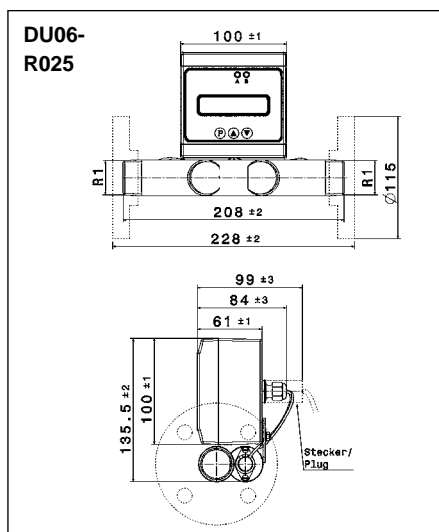
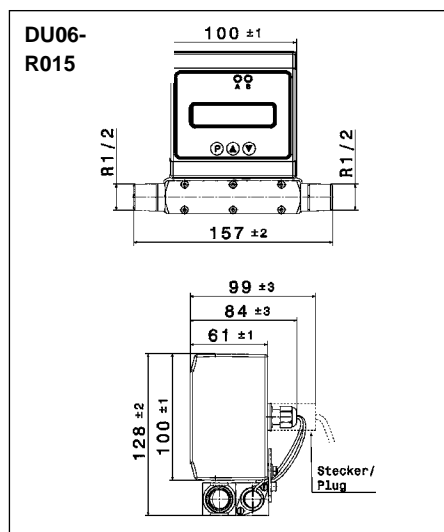
Power supply, current output, voltage output, frequency output, 4-pin plug

Pin 1: 4-20mA / 0-10V / Freq. Out
 Pin 2: GND
 Pin 3: GND
 Pin 4: +24VDC ±15%

B. Relay outputs, 6-pin plug

Pin 1: relay 2, N/O contact
 Pin 2: relay 2, center contact
 Pin 3: relay 2, N/C contact
 Pin 4: relay 1, N/O contact
 Pin 5: relay 1, center contact
 Pin 6: relay 1, N/C contact

Dimensions:



Model Coding:

Order Number: **DU06. E. V. R025. A. 0**

Ultrasonic flowmeter and counter with local indication

Material version:

M = brass housing, sensors stainless steel
 E = stainl. steel housing, sensors stainl. steel
 S = special version

Gaskets:

V = Viton (standard)
 E = EPDM
 S = special version

Measuring range / process connection:

R015 = 0.5 to 80 l/min, 1/2" male thread (DU06.M... only)
 R025 = 1 to 180 l/min, 1" male thread (DU06.E... only)
 R050 = 8 to 1000 l/min, 2" male thread (DU06.E... only)

Output (configurable on site):

A = 4-20 mA
 V = 0-10 V
 I = frequency output (max. 32 kHz)

Options:

0 = None
 9 = Please specify in writing

Specifications:

Max. pressure: 25 bar
Product temperature: -20...+100 °C
Ambient temperature: -10...+60 °C
Measur. uncertainty: ± 2% of full scale
Installation position: any, rotatable housing
Products: acoustically conductive liquids
 solids content < 10% vol.

Power supply: 24 VDC ± 15%
Power consumption: 200 mA max.
Outputs: 4-20 mA, 0-10 V, frequency output (field programmable, max. 32 kHz),
 2 x changeover contacts, 30 VDC / 1 A
Limit-value relay: LCD, 2 x 16 characters, illuminated IP65