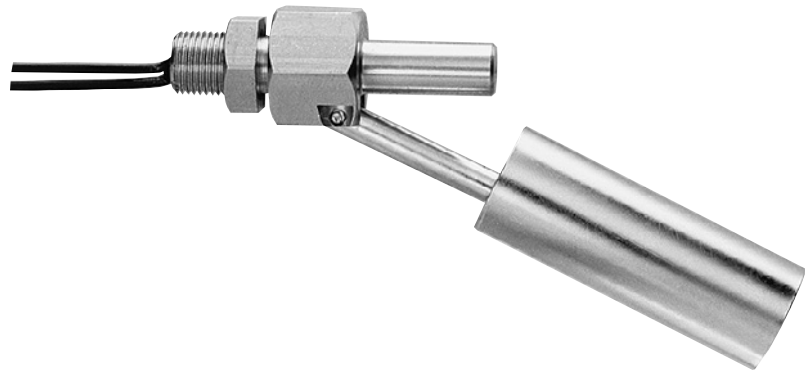


FS15

Miniature Level Switch for horizontal mounting

- compact design
- only one mechanically moveable part
- mounts horizontally into a tank wall
- complete of stainless steel



Description:

The level switch model FS15 works according to the magnetic float principle. The float is lifted upwards by the rising liquid level in the tank until the magnetic field of the integrated permanent magnet activates a Reed contact. Depending on the way the level switch is mounted this contact may work as a N/O or a N/C switch.

Applications:

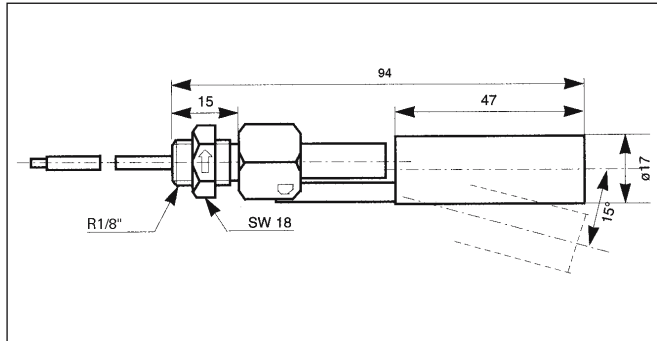
The float level switch FS15 is designed to monitor the level of nearly all liquids. FS15 may be used as MIN, MAX monitor, to control valves or pumps or as an alarm switch. By the use of potential-free reed contacts the FS15 level switches are the ideally switches for SPS-Controls

Design:

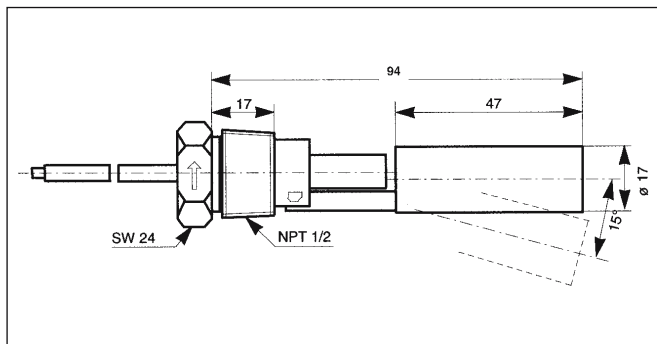
- Level switch for general applications made of st. steel
- Male thread G 1/8 or 1/2" NPT

Dimensions:

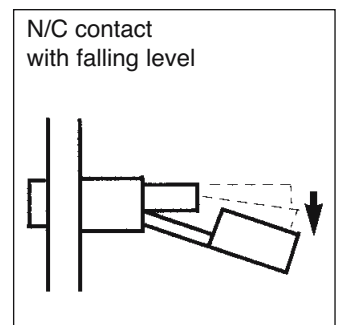
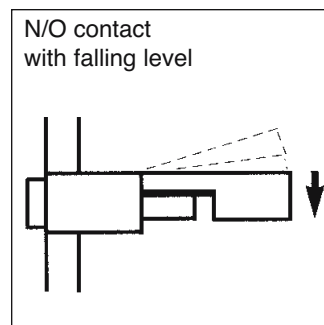
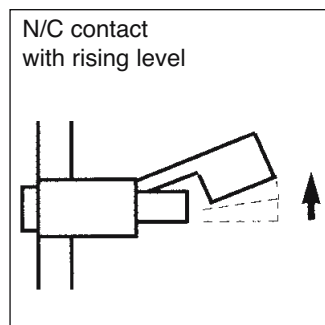
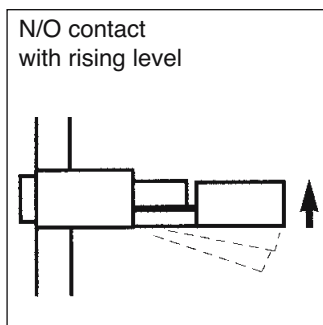
FS15.1



FS15.2



Mounting and contact functions:



Ordering Code:

Order No.

FS15. 1.

Miniature level switch
for horizontal mounting

Connection:

1 = G 1/8 male

2 = 1/2" NPT male

Technical Specifications:

Connection cable:

0.5 m FEP-wire

Threaded connection:

G 1/8 male or
1/2" NPT male

Material:

completely stainless steel
1.4301

Contact function:

N/C or N/O, depending
on mounting

Contact rating:

50 VA, 250V, 0.5 A

Max. pressure:

5 bar

Max. temperature:

120°C

Min. density of medium:

0.7 kg/l

PKP Prozessmesstechnik GmbH

Borsigstraße 24 · D-65205 Wiesbaden

+49 (0) 6122-7055-0 · +49 (0) 6122-7055-50
Email: info@pkp.de · Internet: www.pkp.de



PKP Process Instruments Inc.

10 Brent Drive · Hudson, MA 01749

+1-978-212-0006 · +1-978-568-0060
Email: info@pkp.eu · Internet: www.pkp.eu

